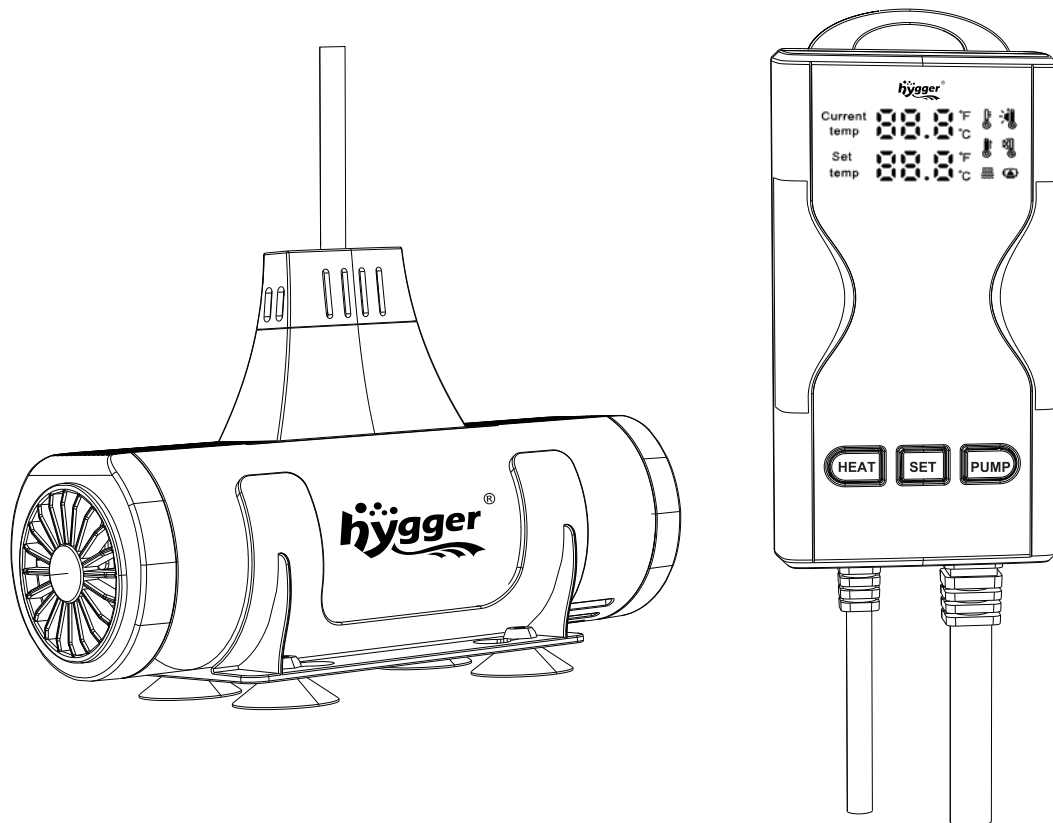




HGY0009 USER MANUAL

hygger 2 in 1 Aquarium Heater with Wave Maker



The hygger 2 in 1 Aquarium Heater with Wave Maker is the perfect circulating heater for aquariums. It combines a water pump and is suitable for freshwater and saltwater aquariums.

****Reminder: The controller is not waterproof, do not allow it to get wet**.**

Attentions

- 1)The heater must be fully submerged when it is in operation. To cease usage, power off the heater and allow the pump to circulate water for 15 seconds. Once the circulation stops, disconnect the heater's power cord before removing it from the water.
- 2)The circulation heater with a pump enables simultaneous water circulation and water heating, an additional wave pump is not required.
- 3)Please do not bury the heating rod or use it near the sand.
- 4)The temperature display has an accuracy tolerance of +10 %, which may vary depending on environmental factors.

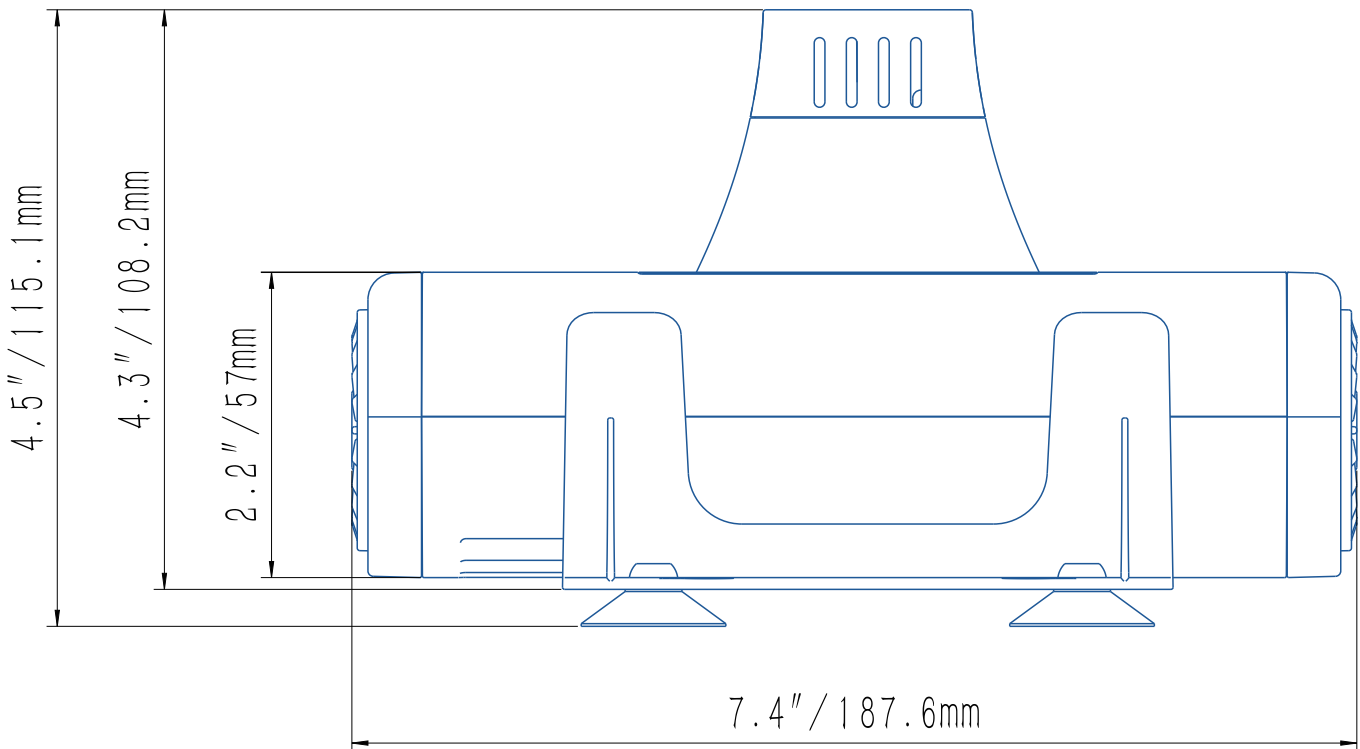
1. PRODUCT FEATURES

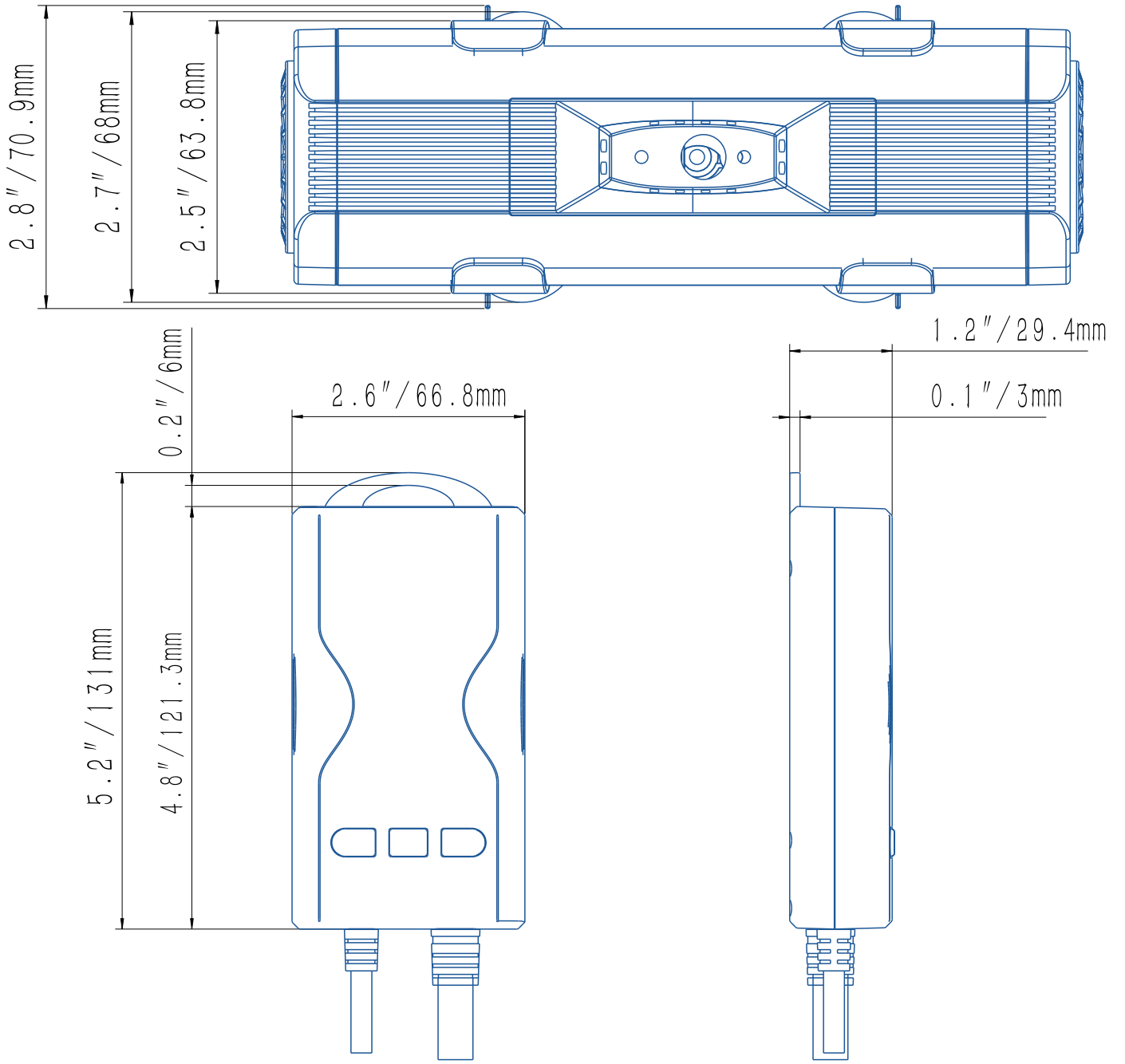
- **Powerful:** This heater combines water heating and water circulation in one, making the heating cycle more even, and can be used in both salt water and fresh water.
- **Rapid heat accumulation:** The heating rod is made of corrosion resistant 840 stainless steel and a highly temperature-resistant nickel-chromium heating wire with a heat conductor made of magnesium powder; as a result, the water heats up faster and the heater is safer and more durable.
- **LED digital temperature display:** This LED screen defaults to displaying the current and set water temperatures in Celsius, with alerts for low and high temperatures and an auto-off function when the heater is removed from the water. The external controller simplifies the setup and operation process. Press and hold the button to convert the temperature unit between Celsius and Fahrenheit.
- **Accurate Temperature Regulation:** The heater activates heating when the water temperature is 1°F (0.5°C) below the set temperature. It then holds the temperature steady once the set temperature is reached. The heater's operating range is from 59°F (15°C) up to a maximum of 93.2°F (34°C). An alarm is triggered, and the high-temperature indicator stays lit when the temperature exceeds 95°F (35°C).
- **Simple operation:** Simply plug the heater into the socket to start up the appliance. The large LED display is easy to read and can be conveniently set using the three-button operation.
- **Automatic Shut-Off and Alert:** The heating rod stops working and triggers an out-of-water indicator light and an alert signal when taken out of the water. It will automatically restart once it's fully re-submerged.
- **Accurate, reliable and durable:** The quartz tubes in premium quality have been precisely designed on a scientific basis. This heater will work reliably for years.

2. PRODUCT SPECIFICATIONS

Model	HGY0009-300W	HGY0009-500W	HGY0009-800W	HGY0009-1000W
Volt/Freq	US standard:AC110~120V/60Hz EU/UK standard:AC 220-240V/50Hz Japan standard:AC100-120V/50-60Hz			
Cord length	Cable length from heater to controller: 4.9ft(150CM) Cable length from controller to socket: 3.9ft(120CM)			
Applicable tank size	40~80Gal (152~302L)	66~135Gal (250~343L)	80~220Gal (302~383L)	130~260Gal (492~984L)
Temperature accuracy	0.1°F/0.1°C			
Temperature tolerance range	±0.1°F/±0.1°C			
Control range	59°F~93.2°F/15°C~34°C			
Heater dimension	Wave-making pump size 187.6*70.9*108.2mm 7.38"*2.8"*4.25"		Controller size 66.8*29.4*121.3mm 2.62"*1.15"*4.77"	

3. PRODUCT SIZE









4. INSTRUCTIONS FOR BUTTON OPERATION

1. Begin by attaching the entire product body to the suction cup base. The suction cup will securely adhere to the tank wall to keep the product in place. Next, submerge the product in the tank, ensuring the entire body is fully immersed in water. Please be aware that the external controller is not designed to be waterproof.

2. Submerge the entire device in water. Upon powering on, the display will fully illuminate after a 5-second delay. During the initial power-up, the device defaults to an off state. To activate it and engage the wave-making and heating mode, briefly press the left HEAT button. In this mode, the device conducts a self-diagnostic check of the water temperature, automatic alarm for exposure to air, water pump motor, and heating functionality to ensure all systems are operational. Once the self-check confirms everything is functioning correctly, the device starts operation. To turn the device off, simply hold down the left HEAT button.

3. Adjust the temperature with the center SET button. A brief press increments the temperature by 0.1°C/°F, while holding the button down allows for rapid temperature increase. The adjustable temperature range spans from 59°F to 93.2°F or 15°C to 34°C. Once you stop operating the button for 5 seconds, the heater initiates the heating and wave-making mode, with the indicator light  brightening to signal active heating. The indicator light  is on, indicating that the preset temperature has been achieved, heating has stopped, and the heater is now maintaining the temperature.

4. The heating and wave-making pump functions can operate simultaneously or independently. In heating and wave-making mode, a brief press of the right PUMP button turns off the heating function and stops the heating process. The indicator lights  and  will turn off, leaving only the wave-making pump function active. To re-enable heating, simply press the left HEAT button. If the heater is in wave-making mode alone, pressing the right PUMP button will stop the water pump motor. Pressing the right PUMP button again will restart the water pump motor.

5. Hold down the right PUMP button to switch between °C and °F.

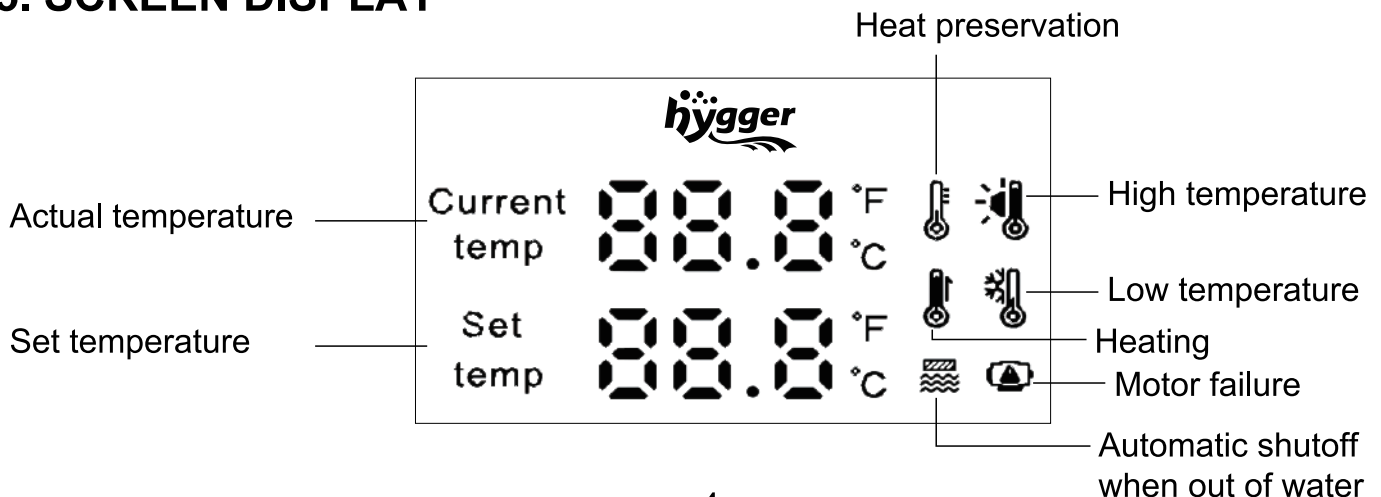
6. Connect the heater's power cord to an outlet to use it. The preset temperature is 32°C (89.6°F).

7. There are four types of abnormal warning signals. The low-temperature alarm triggers when the water temperature drops below 15°C/59°F; however, the heater will continue to operate.

In the event of a high-temperature alarm, the heater will shut off, but the water pump will keep running.

The heater and water pump will stop operation for warnings related to exposure to air or system failure. In the case of a motor malfunction—such as when an object is jammed or the motor reverses—the water pump will stop, and heating will also be suspended. Subsequently, every 5 seconds, the motor will attempt to restart to verify if it can function properly. If successful, the heater will resume normal operation and start heating.

5. SCREEN DISPLAY



6. PRODUCT MAINTENANCE

Unplug or switch off all appliances in the aquarium before carrying out maintenance.





Do not use detergents or other chemical cleaners.

To clean the heater, power off the heater and allow the pump to circulate water for 15 seconds. Once the circulation stops, disconnect the heater's power cord before removing it from the water. Wash the heater with clean water.

When reinstalling the heater, select the desired location and position the heater under the water. No part of this appliance can be repaired by the user.

Only suitable for indoor use, not suitable for damp rooms.

7. TROUBLESHOOTING

Error code	Explanation	Solution
	If the water temperature is below 15°C/59°F, the low-temperature icon remains illuminated, and a "beep" alarm sounds	Raise the temperature to above 15°C/59°F
	If the water temperature exceeds 35°C/95°F, the high-temperature icon remains illuminated, and a "beep" alarm sounds	Cool the water to below 35°C/95°F
	The heater automatically switches off when out of water, the icon remains illuminated, and a "beep" alarm sounds	Fully immerse the heater in water
	Explanation: Motor failure, the icon remains illuminated, and a "beep" alarm sounds	
	Solution: Alarm <10s: Device self-troubleshoots. Alarm >15s: Power off and check the water blades.	

8. WARNING

To avoid possible electric shock, do not immerse the switch in the water. If the switch falls into the water or becomes wet, do not touch it until you have unplugged it. Basic safety precautions that should be observed are as follows:

1. Read and follow this user manual strictly

2. DANGER- To avoid possible electric shock, special care should be taken since water is employed in the use of aquarium equipment. For each of the following situations, do not attempt to repair yourself instead, return the heater to an authorized service facility for maintenance or discard it.

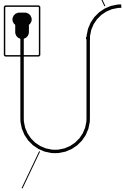
A. If the heater shows any sign of abnormal working, power off and unplug the heater and wait 15 seconds before removing the heater from the water.

B. Carefully examine the heater after installation. It should not be plugged in if there is water on parts that are not intended to be wet.

C. Do not operate the heater if it has a damaged cord or plug, is malfunctioning, dropped or damaged in any manner. The power cord of this heater cannot be replaced. If the cord is damaged, the heater should be discarded.

D.To avoid the possibility of the heater plug getting wet, position the aquarium and its stand to outside of a wall mounted outlet to prevent water from dripping onto the outlet or plug. A "drip loop"shown in the figure below, should be arranged by the user for each cord, which connects the heater to the outlet. If an extension cord is used, the "drip loop" is the part of the cord below the level of the outlet or the connector that prevents water from traveling along the cord and coming in contact with the outlet. If the plug or outlet does get wet, DO NOT unplug the cord. Disconnect the fuse to the circuit breaker that supplies power to the heater, Then unplug and examine for the presence of water in the outlet. If you are not sure, consult a certified electrician.

POWER CORD



DRIP LOOP

3.Close supervision is necessary when the heater is used near children.

4.This heater is not allowed to use by persons (including children) with reduced physical sensory or mental capabilities or lack of experience and knowledge unless they have been given supervision or instruction concerning the use of the heater by a person responsible for their safety.

5.To avoid injury, do not contact moving or hot parts.

6.Always unplug the heater from the outlet when not in use, before putting on or taking off parts, maintenance or placing hands in the water. Never yank the cord to pull the plug from the outlet. Grasp the plug and pull to disconnect.

7.Do not use the heater for other than intended use. The use of attachments not recommended or sold by the appliance manufacturer may cause an unsafe condition and will void the warranty.

8.Do not install or store the heater where it will be exposed to extreme weather or temperatures below freezing.

9.Only use the heater in freshwater or saltwater, do not use it in other liquids.

10.Make sure the heater is securely installed before operating it.

11.Read and observe all the important notices on the heater.

12.If an extension cord is necessary, a cord with a proper rating should be used such as rated amperes or watts. A cord rated for fewer amperes or watts than the heater rating may overheat. Care should be taken to arrange the cord so that it will not be tripped over or pulled.

13.The 2-conductor power cord has a polarized plug (one blade is wider than the other.) As a safety feature, this plug will fit in a polarized outlet only one way. If the plug does not fit fully in the outlet, reverse the plug. If it still does not fit,contact a qualified electrician. Never use it with an extension cord unless the plug can be fully inserted. Do not attempt to defeat this safety feature.

14.The heater is intended FOR HOUSEHOLD USE ONLY.

15.SAVE THIS USER MANUAL.

9. ATTENTIONS

- √ Please check all the items to inspect their condition when unboxing the package.
- √ Please read this user manual carefully before using and follow it strictly.
- √ Please choose a heater rated for your aquarium.
- √ Please place the heating rod in the way of water flow and don't bury it in the substrate.
- √ It is suggested that the heater is submerged more than 5 inches below the water.
- √ Please make sure the heating rod is fully submerged when it's on duty. Power off and unplug the heater and wait 15 seconds before changing the water or removing the heater.
- √ Please mind that the heater can be turned off automatically whenexposed to air, but it is a last resort and should be avoided.
- √ After using the heater for a while, calcium carbonate contained in algaeor moss may clump and adhere to the heating rod.
- √ If dirt adheres to the heating rod, use a sponge or cloth and water to wipeit. Do not use alcohol or other chemicals as this may damage the heater and harm the fish or other livestock.
- √ If you use the heater for a prolonged period with dirt adhered to the heating element, please be aware that failure may occur due to the inability to controlthe temperature correctly.
- √ Please place the heating rod far away from the magnetic cleaner since the magnet will possibly damage the heating element.

10. DISPOSAL

Do not dispose this product as unsorted municipal waste. Collection of such waste separately for special treatment is necessary. This product has to be disposed at an authorized place for the recycling of electrical and electronic appliances rather than being disposed together with the domestic waste. Collecting and recycling waste is a way of saving natural resources. So, please consult with your local seller to make sure the product is disposed in an environmentally friendly way.



11. PACKING LIST

- 1x Heater
- 1x Base
- 1x Controller
- 4x Suction cup
- 1x User manual

12. CONTACT INFORMATION

E-mail: service@hygger-online.com

Website: www.hygger-online.com