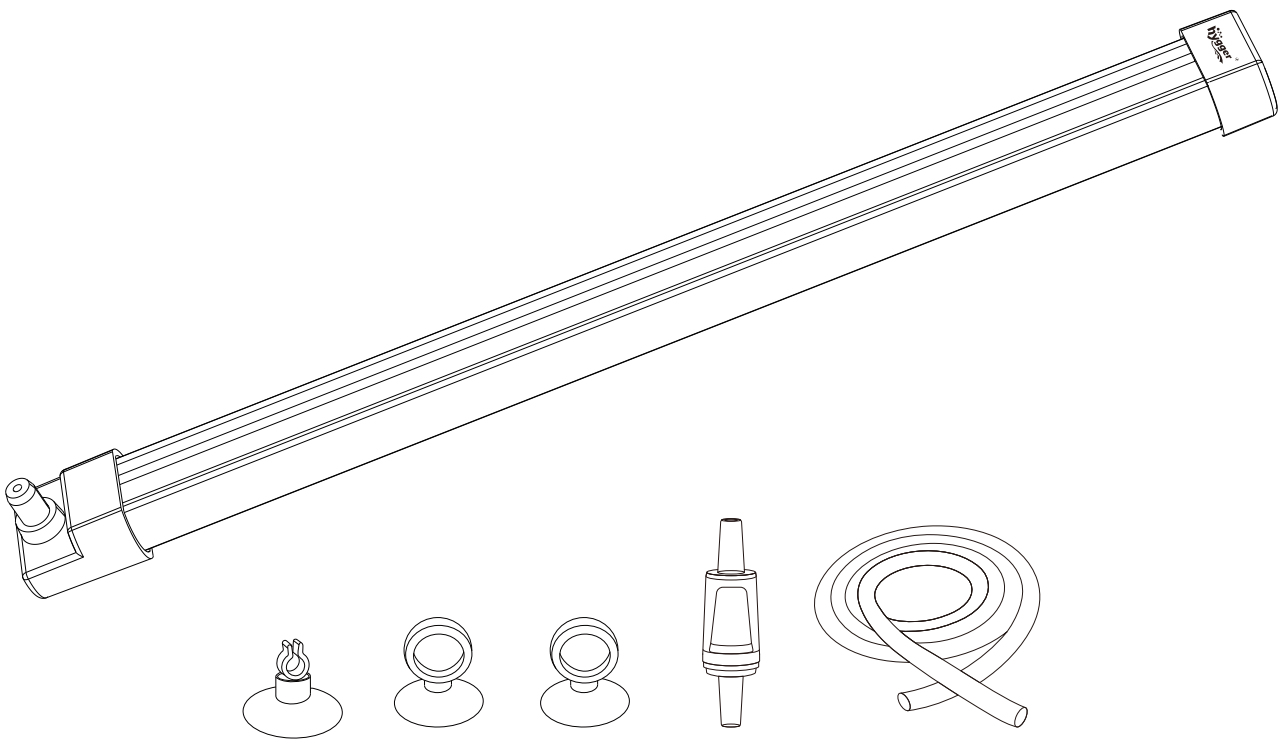




HG299 USER MANUAL

hygger Silent Stream Bubble Strip



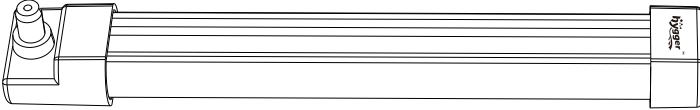

Accessories included: air tube/check valve/silicone suction cup/tube clip

Attention: Air Pump is not included.

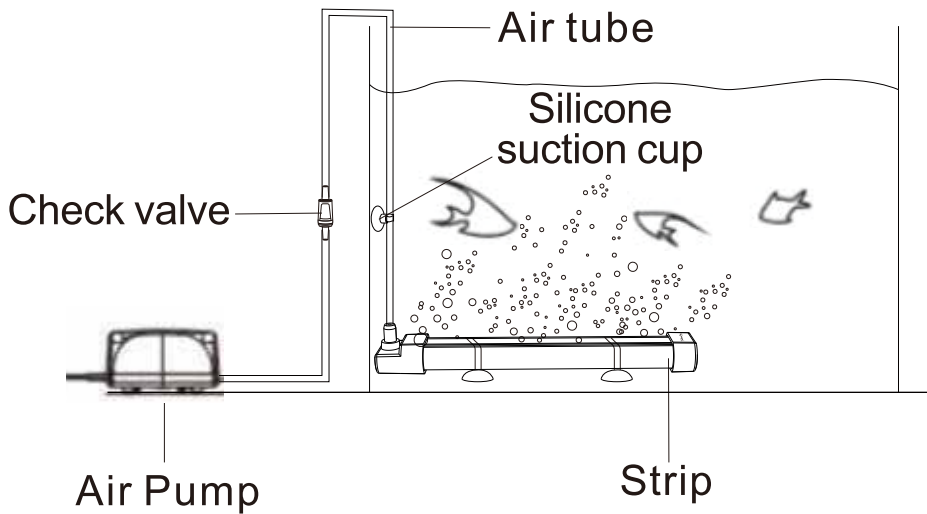
1.PRODUCT FEATURES

- **Ultra-high Dissolved Oxygen:** The special EVA material can generate mist-like bubbles, keeping the water tank well-oxygenated and making it more suitable for fish growth.
- **Innovative Design Kit:** Featuring a non-toxic bubble dissolution design, it presents a beautiful and dreamy bubble wall while expanding the area for oxygen.
- **Long-lasting and Easy Cleaning:** Made of special anti-corrosion materials, it is durable and will never clog, which is different from traditional air stones. Our plastic strip is easy to clean.
- **Two Usage Methods:** It can be immersed at the bottom of the fish tank or attached to the tank wall for use.
- **Suitable for Freshwater and Saltwater.**

2.PRODUCT SPECIFICATIONS

Product Picture							
Model	HG299-7.9inch (20CM)	HG299-15.7inch (40CM)	HG299-21.7inch (55CM)	HG299-29.5inch (75CM)	HG299-37.4inch (95CM)	HG299-T2-7.9inch (20CM)	HG299-T2-15.7inch (40CM)
Strip L/W/H	L:7.9inch (20CM) W:0.6inch (1.5CM) H:1 inch (2.5CM)	L:15.7inch (40CM) W:0.6inch (1.5CM) H:1 inch (2.5CM)	L:21.7inch (55CM) W:0.6inch (1.5CM) H:1 inch (2.5CM)	L:29.5inch (75CM) W:0.6inch (1.5CM) H:1 inch (2.5CM)	L:37.4inch (95CM) W:0.6inch (1.5CM) H:1 inch (2.5CM)	L:7.9inch (20CM) W:0.6inch (1.5CM) H:1 inch (2.5CM)	L:15.7inch (40CM) W:0.6inch (1.5CM) H:1 inch (2.5CM)
Strip QTY	1	1	1	1	1	2	2
Required Air Pump	≥2W	≥3W	≥5W	≥8W	≥10W	≥5W	≥8W
Air Tubing Size(ID)	3/16" (4MM)	3/16" (4MM)	3/16" (4MM)	3/16" (4MM)	3/16" (4MM)	3/16" (4MM)	3/16" (4MM)

3.ATTENTION



1) Before using, please fully immerse the bubble strip into the water at least 30 minutes.

2) Please note that this is an air pump-driven device requiring an aquarium air pump to operate. The longer the bubble chain, the stronger the airflow required.

Important Reminder:

1. If the bubble strip doesn't work. It is possible the air pump is not powerful enough to make it work. Please use a powerful air pump (see above form for how to choose right air pump). Or try cleaning the surface of the aeration zone.

2. Please avoid using the bubble strip in flammable, corrosive, or chemical gases or liquids.

4. PACKING LIST

Model	HG299-7.9inch (20CM)	HG299-15.7inch (40CM)	HG299-21.7inch (55CM)	HG299-29.5inch (75CM)	HG299-37.4inch (95CM)	HG299-T2-7.9inch (20CM)	HG299-T2-15.7inch (40CM)
Strip QTY	1	1	1	1	1	2	2
O-ring Suction Cup	2	2	2	2	2	4	4
Check Valve	1	1	1	1	1	2	2
2M Air Tube	1	1	1	1	1	2	2
Tube Clip	1	1	1	1	1	2	2
User Manual	1	1	1	1	1	1	1

5.CONTACT INFORMATION

Distributed by: Hygger Aquarium, Inc.

13941 Magnolia Ave, Chino, CA 91710

Contact us at www.hygger-online.com

Email: mago@hygger-online.com

Trademarks of Shenzhen Mago Trading Co., Ltd

Bantian Group Business Center, Longgang, Shenzhen City, China

All Rights Reserved

Made in China



Have a question? We're here to help:

Mon-Fri: 9:00 am - 5:30 pm PST Sat-Sun: Closed