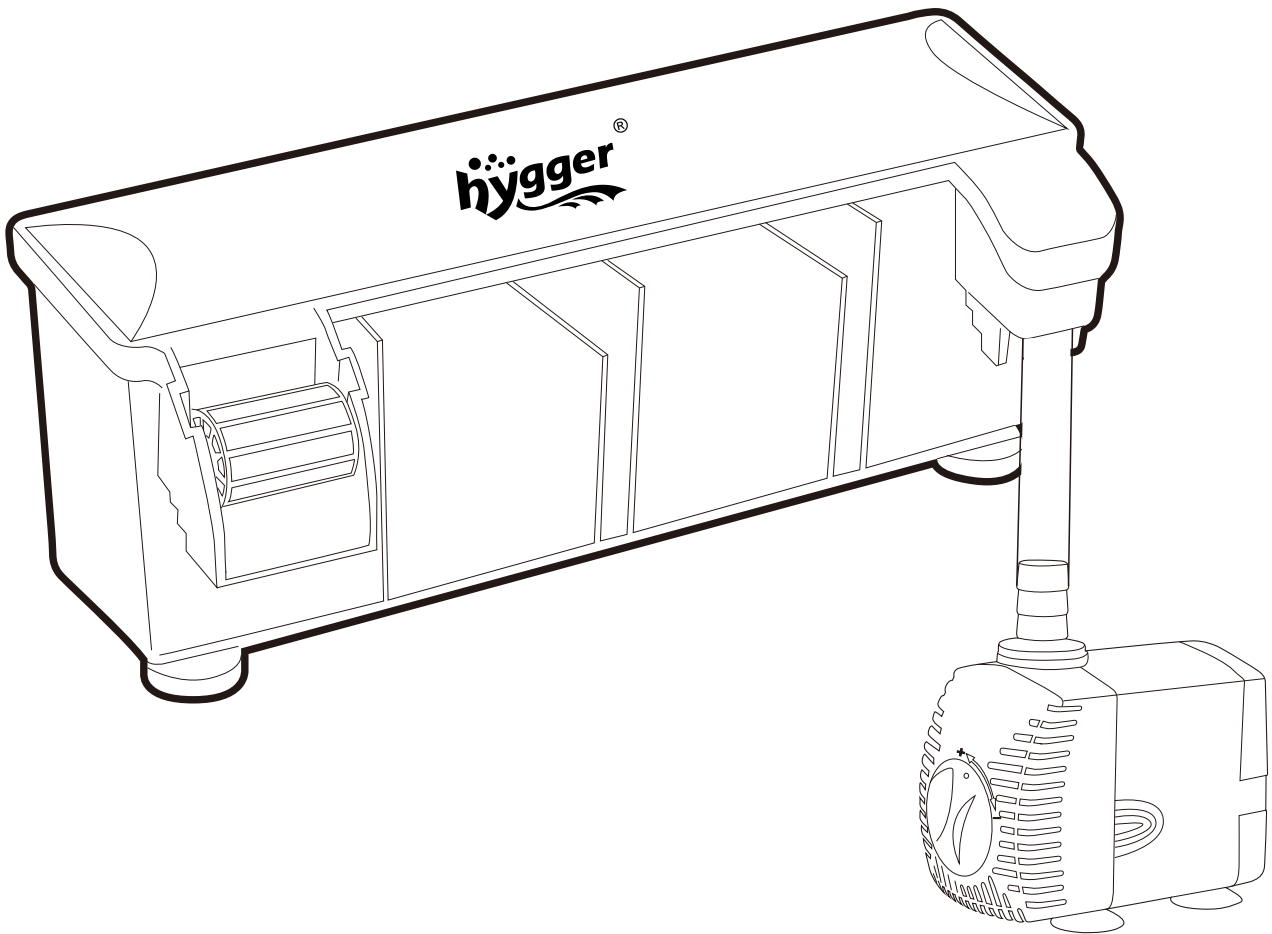


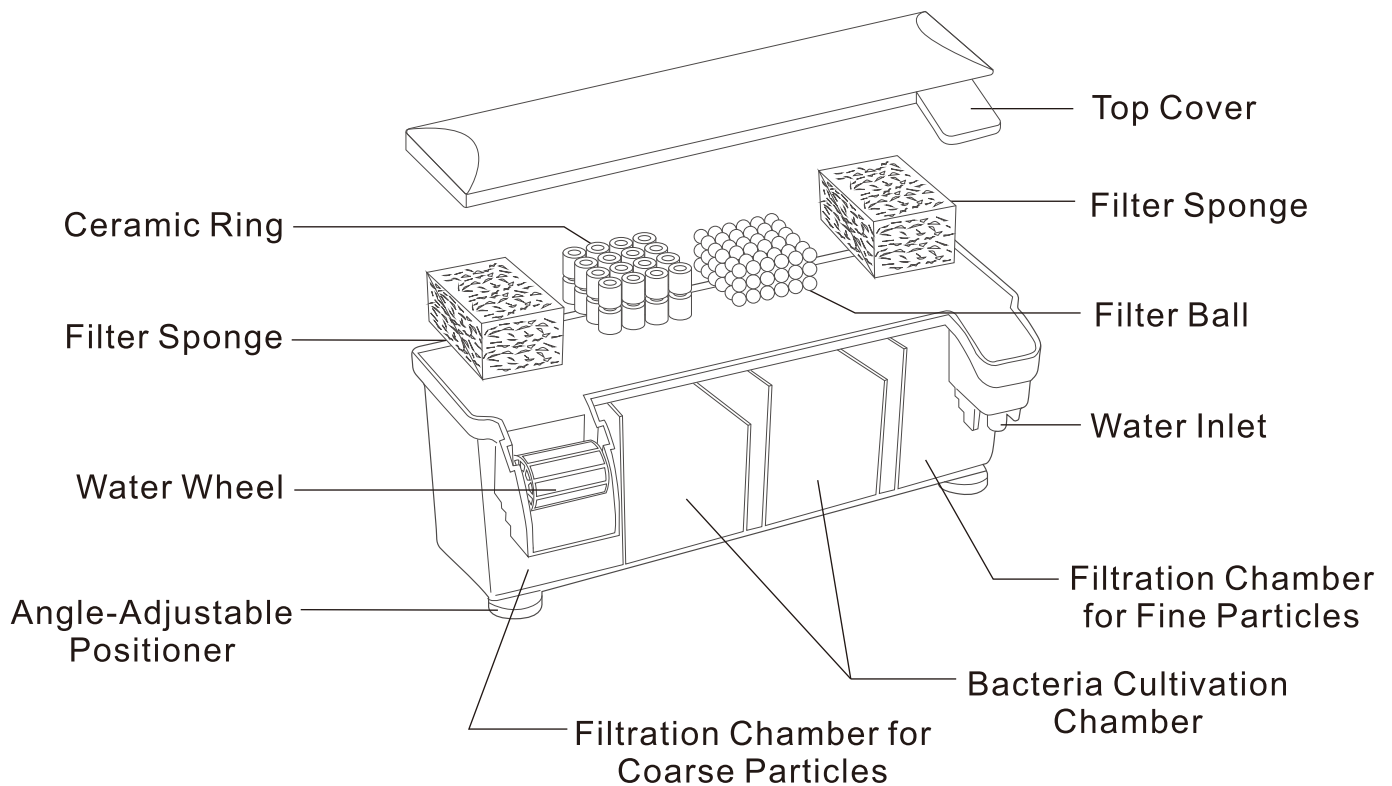


HG287 USER MANUAL

hýgger AquaFall Aquarium Filter



This versatile hang-on filter provides oxygenation, filtration, and water circulation in one compact design. Featuring built-in filter media and a user-friendly structure, it is easy to install, disassemble, and maintain. Ideal for a wide range of aquariums and fish tanks.



1. PRODUCT FEATURES

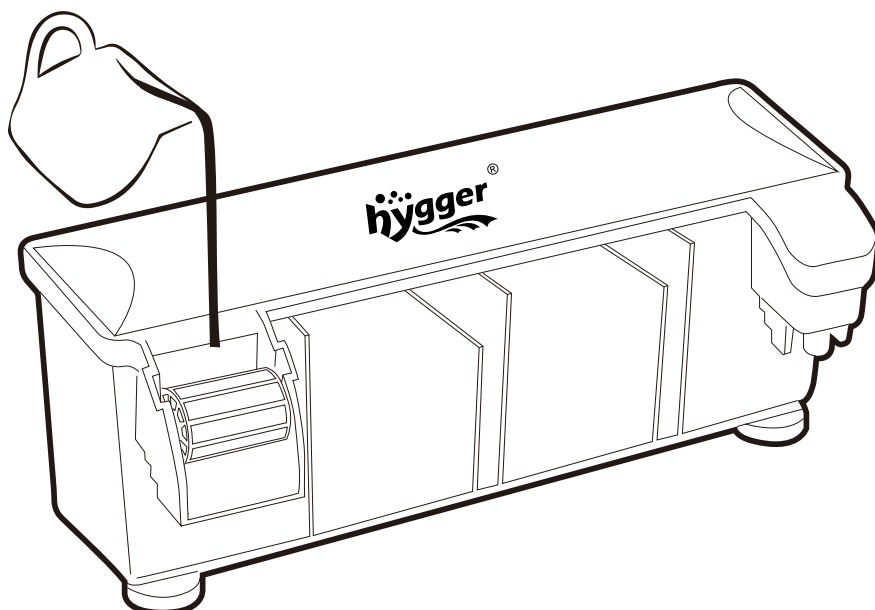
- **Mechanical Filtration:** Effectively traps debris, uneaten food, and waste to keep the water crystal clear.
- **Biological Filtration:** Promotes the growth of beneficial nitrifying bacteria to break down harmful toxins (like ammonia and nitrites), maintaining a healthy aquatic ecosystem.
- **Aeration & Oxygenation:** The waterfall-style flow increases surface agitation and dissolved oxygen levels, supporting the health of both fish and aquatic plants.
- **Surface Skimmer:** Efficiently removes surface oil film and floating debris for improved aesthetics and water stability.
- **Ultra-Quiet Operation:** The low-wattage, energy-efficient design ensures near-silent performance—perfect for quiet home environments.
- **Adjustable Flow Rate:** Features a customizable flow rate to suit different fish species and tank sizes.
- **Easy Maintenance:** Designed with quick-release valves and washable components for hassle-free cleaning; select models include a waste collection chamber to pre-filter larger particles.

2.PRODUCT SPECIFICATIONS

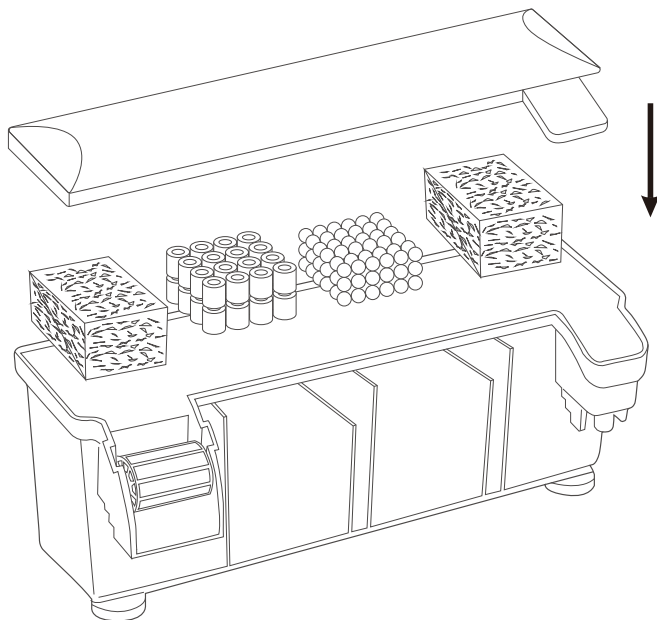
Model	HG287-S-US	HG287-M-US
Sponge size	2.4 x 2.8 x 1.4 in (60*70*35 mm)	
Power	10W	
Voltage/Frequency	AC 110-120V/60Hz	
Cord length	6.4 ft (1.95 m)	
Max Head	3.9 ft (1.2 m)	
Max Flow Rate	160 GPH (600L/H)	
Tube length	1.31ft(0.4m)	
Outlet Caliber	0.34 in (8.5 mm)	
Suitable for	Freshwater	

3.INSTRUCTIONS

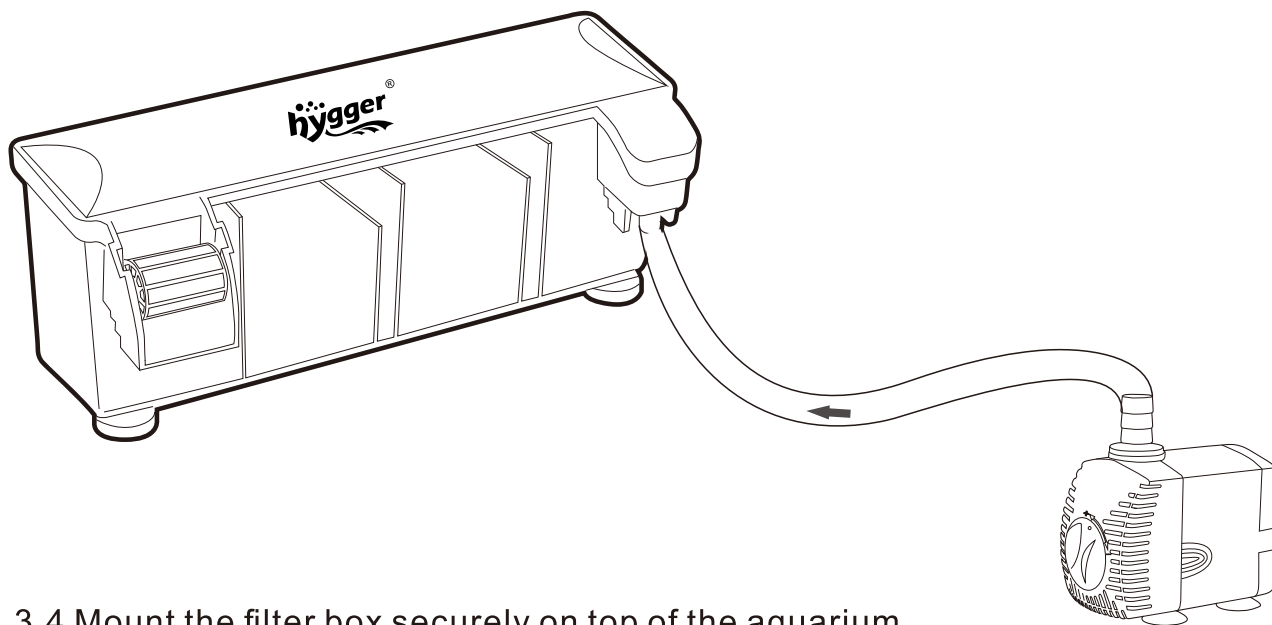
3.1 Rinse all components with tap water before installation.



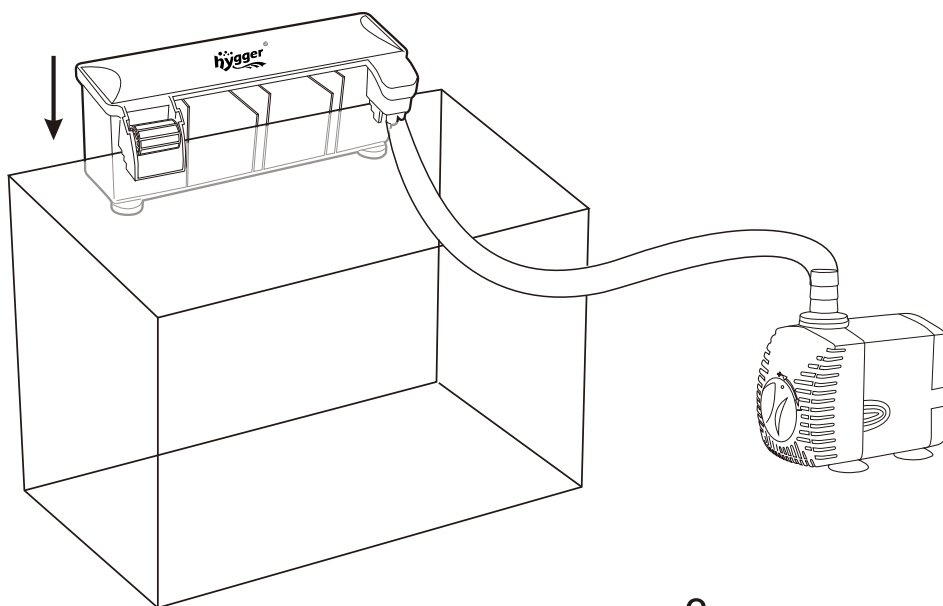
3.2 Place the filter sponge, filter balls, and other media into the filter box.



3.3 Connect the tube to both the pump and the filter box.

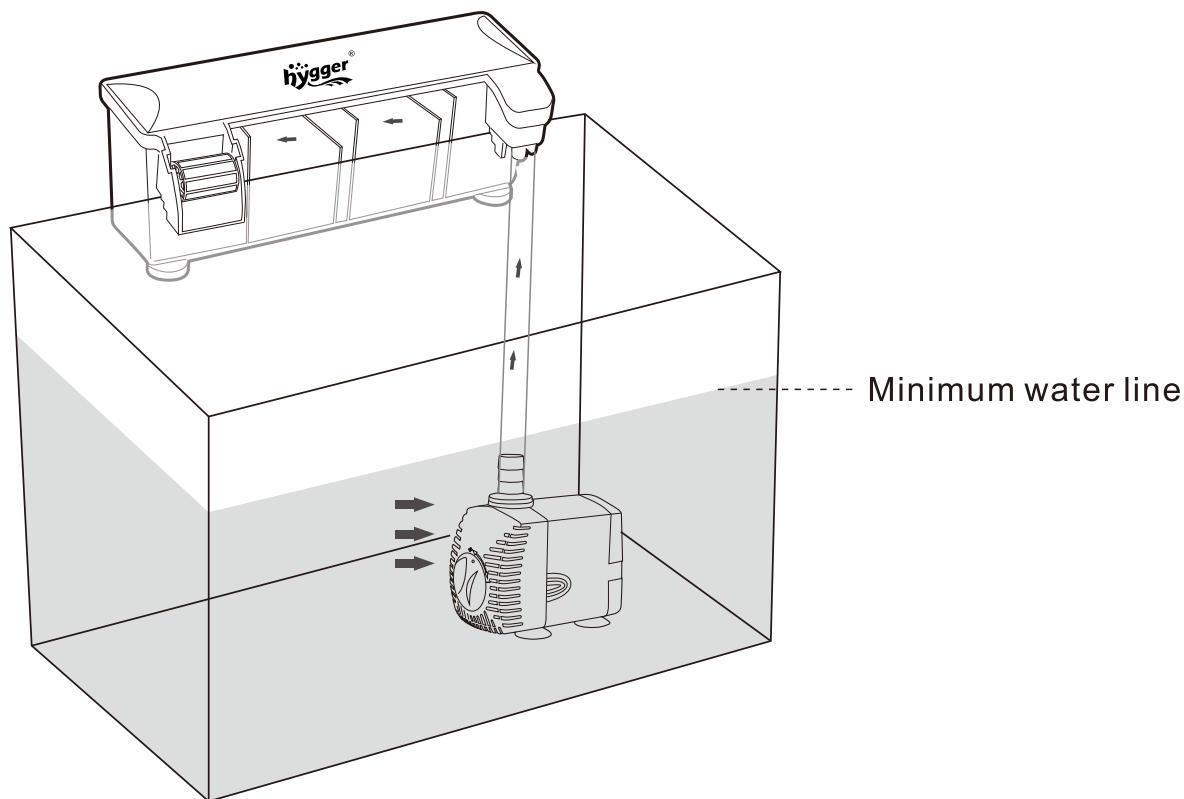


3.4 Mount the filter box securely on top of the aquarium.



3.5 Submerge the pump in the aquarium and plug it in to begin operation.

Note: Ensure the water level stays above the outlet. To prevent pump damage, never allow the water level to fall below the minimum water line (at least 2.17 inches deep).



4. MAINTENANCE

4.1 Clean the filter media every two weeks. Replace the filter media every 2 to 3 months.

4.2 Perform a deep clean of the entire filter once a month, paying close attention to the rotor and filter media.

4.3 Motor Cleaning Instructions

4.3.1 Remove the motor cover and detach the impeller assembly from the motor.

4.3.2 Rinse the impeller with clean water. Use a tube brush to clean the interior of the motor, then reassemble in reverse order.

5.TROUBLESHOOTING

Error	Cause	Solution
Motor does not work	Ensure there is no waste or buildup around the impeller blades or the magnetic drive	Clean the Motor
	Confirm if the impeller is properly seated and reassembled correctly after cleaning	Disconnect the power and ensure the impeller is correctly seated and aligned
	If using sand, check for fine grains trapped within the motor housing or magnet assembly	Switch to a larger grain substrate or reposition the filter intake further away from the sand to prevent clogs
	Examine the impeller and shaft for physical damage or signs of being worn out	Replace the impeller with a new one
	Magnetic pumps can occasionally experience a startup failure (a common physical phenomenon where the magnet fails to engage)	If the pump is stalled, try cycling the power (plugging and unplugging) several times
No Water Flow. Weak Water Flow. Unusual Noise	Ensure the water level is above the minimum requirement	Add water until the level is above the minimum operating line
	Check the impeller and motor housing for any trapped debris or buildup	Thoroughly clean the impeller and motor well to ensure smooth rotation
	Confirm that the impeller is properly seated and securely installed within the motor	Remove and reinstall the impeller, ensuring it is perfectly aligned and locked in place
	Check the filter housing for any accumulated waste or foreign objects	Clean the unit regularly and replace the filter media to prevent clogging
The water is not clearing up	The gravel may not have been properly washed before use	Clean the gravel thoroughly
	The filter media could be excessively dirty or clogged	Replace the filter media if necessary

6.ATTENTIONS

- √ Please read this user manual carefully before use and follow it strictly.
- √ Please keep the filter away from water, as it is not waterproof.
- √ Please keep the filter away from open flame to avoid accidents.
- √ Please unplug the power and contact the seller if the filter does not function properly.

**** DISASSEMBLY WILL VOID THE WARRANTY ****

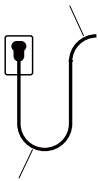
- √ Please unplug the power before maintenance.
- √ The filter is designed to operate within a temperature range of 40°F to 95°F (4°C to 35°C).

7.WARNING

To avoid possible electric shock, do not immerse the switch in the water. If the switch falls into the water or becomes wet, do not touch it until you have unplugged it. Basic safety precautions that should be observed are as follows:

1. Read and follow this user manual strictly.
2. DANGER- To avoid possible electric shock, special care should be taken since water is employed in the use of aquarium equipment. For each of the following situations, do not attempt to repair yourself. Instead, return the filter to an authorized service facility for maintenance or discard it.
 - A. If the appliance falls into the water, DO NOT touch it. First unplug it, then retrieve it. If electrical components of the appliance get wet, unplug it immediately.
 - B. Carefully examine the filter after installation. It should not be plugged in if there is water on parts that are not intended to be wet.
 - C. Do not operate the filter if it has a damaged cord or plug, is malfunctioning, dropped, or damaged in any manner. The power cord of this filter cannot be replaced. If the cord is damaged, the filter should be discarded.
 - D. To avoid the possibility of the filter plug getting wet, position the aquarium and its stand to one side of a wall mounted outlet to prevent water from dripping onto the outlet or plug. A “drip loop”, shown in the figure below, should be arranged by the user for each cord, which connects the filter to the outlet. If an extension cord is used, the “drip loop” is the part of the cord below the level of the outlet or the connector that prevents water from traveling along the cord and coming in contact with the outlet. If the plug or outlet does get wet, DO NOT unplug the cord. Disconnect the fuse to the circuit breaker that supplies power to the filter. Then, unplug and examine for the presence of water in the outlet. If you are not sure, consult a certified electrician.

POWER CORD



DRIP LOOP

3. Close supervision is necessary when the filter is used near children.
4. This filter is not allowed to use by persons (including children) with reduced physical sensory or mental capabilities or lack of experience and knowledge unless they have been given supervision or instruction concerning the use of the filter by a person responsible for their safety.
5. To avoid injury, do not contact moving or hot parts.
6. Always unplug the filter from the outlet when not in use, before putting on or taking off parts, maintenance, or placing hands in the water. Never yank the cord to pull the plug from the outlet. Grasp the plug and pull to disconnect.
7. Do not use the filter for other than intended use. The use of attachments not recommended or sold by the appliance manufacturer may cause an unsafe condition and will void the warranty.
8. Do not install or store the filter where it will be exposed to extreme weather or temperatures below freezing.
9. Make sure the filter is securely installed before operating it.
10. Read and observe all the important notices on the filter.
11. If an extension cord is necessary, a cord with a proper rating should be used, such as rated amperes or watts. A cord rated for fewer amperes or watts than the filter rating may overheat. Care should be taken to arrange the cord so that it will not be tripped over or pulled.
12. The filter is intended FOR HOUSEHOLD USE ONLY.
13. SAVE THIS USER MANUAL.

8. DISPOSAL

Do not dispose of this product as unsorted municipal waste. Collection of such waste separately for special treatment is necessary. This product has to be disposed of at an authorized place for the recycling of electrical and electronic appliances rather than being disposed of together with the domestic waste. Collecting and recycling waste is a way of saving natural resources. So, please consult with your local seller to make sure the product is disposed of in an environmentally friendly way.



9. PACKING LIST

- 1x Filter box
- 1x Black filter sponge
- 1x Yellow filter sponge
- 5x White filter sponge
- 1 bag of filter balls (2 bags for Size M)
- 1 bag of ceramic rings
- 1x Water pump
- 1x Water tube
- 1x User manual

10. CONTACT INFORMATION

Distributed by: Hygger Aquarium, Inc.
13941 Magnolia Ave, Chino, CA 91710

Contact us at www.hygger-online.com
Email: mago@hygger-online.com

Trademarks of Shenzhen Mago Trading Co., Ltd
Bantian Group Business Center, Longgang,
Shenzhen City, China
All Rights Reserved

Made in China



Have a question? We're here to help:
Mon-Fri: 9:00 am - 5:30 pm PST Sat-Sun: Closed

EC	REP	E-CrossStu GmbH Mainzer Landstr. 69,60329 Frankfurt am Main E-CrossStu@web.de +49 69332967674
-----------	------------	---

UK	REP	YH Consulting Limited C/O YH Consulting Limited Office 147,Centurion House,London Road, Staines-upon-Thames,Surrey, TW18 4AX,London H2YHUK@gmail.com +44 07514-677868
-----------	------------	---

**Note: This is not the after-sales service contact.
Please do not reach out here.**

