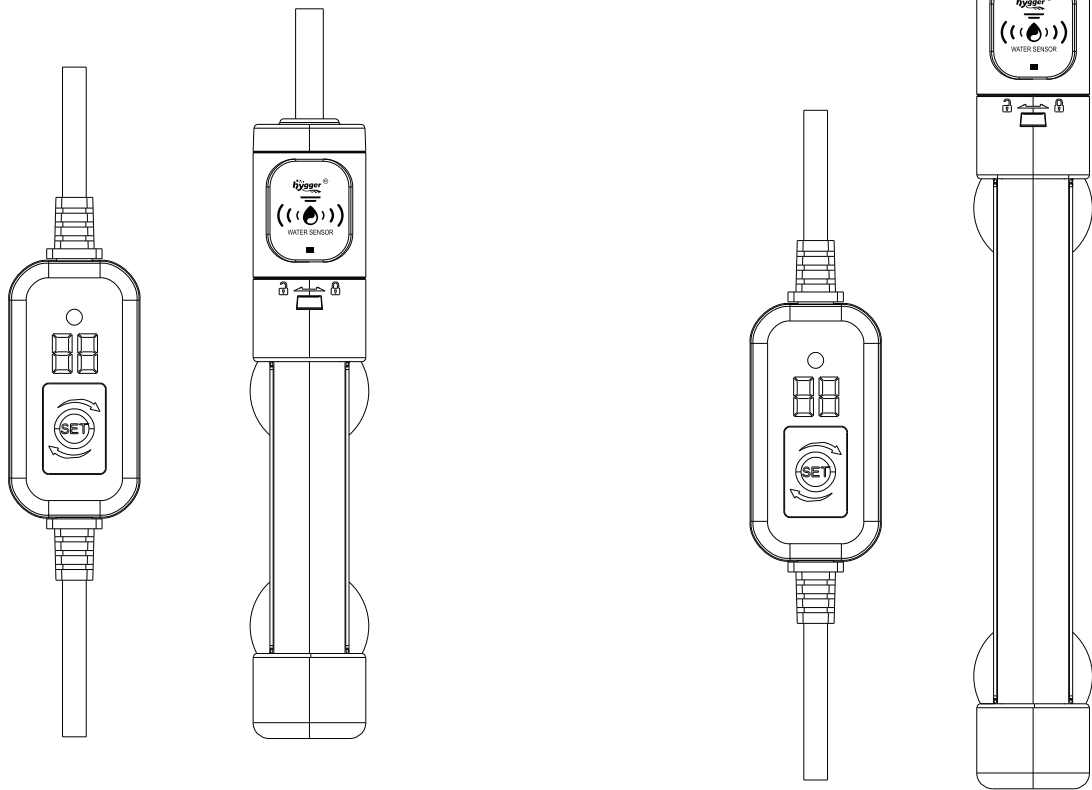




HG273 USER MANUAL

hygger Controllable Aquarium Heater



25W/50W/100W

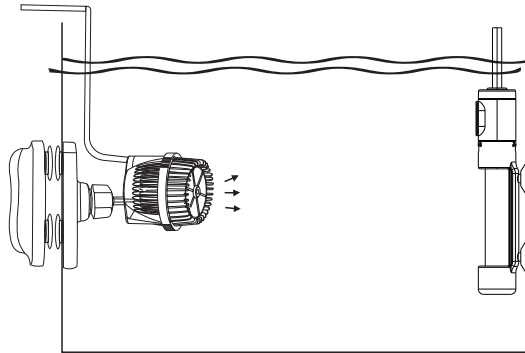
150W/200W/300W

The hygger Controllable Aquarium Heater is ideal for aquariums from 2 to 80 gallons and can be used on a desktop, in the office, or at home.



CAUTIONS

- The heater must be fully submerged in water during operation. Unplug the heater and wait 15 minutes before changing the water or removing the heater from the aquarium.
- Please ensure enough water flow and water circulation in the aquarium when using the heater.



1. PRODUCT FEATURES

- **Dual LED Digital Temperature Displays**—on both the heater and controller—provide clear, synchronized readings with simultaneous indicator lights for enhanced visibility.
 - **External Temperature Controller with User-Friendly Operation:** Set and monitor water temperature effortlessly. When the display flashes, adjust to your desired temperature. Once set, the display stabilizes with current temperature without number flashing. Press the "SET" button to review your saved settings at any time.
 - **Memory Function & Auto-Shutoff Protection:** The heater is equipped with a memory function that maintains previous settings after power restoration. It stops heating upon reaching the set temperature. A red indicator indicates heating and green indicator indicates standby mode (no heating). The heater automatically shuts off when operated without water to prevent damage (dry-run protection).
 - **Explosion-Resistant Quartz Heating Tube:** This tube features an integrated explosion-proof and insulation design, which enhances safety compared to traditional coil heaters.
 - **Intelligent Temperature Safety Control:** Dry-run Protection: Automatically shuts off when exposed to air, with an LED flashing "Er" alongside the current temperature. Overheat Protection: Triggers automatic shutoff and displays "EE" when the temperature reaches or exceeds 97°F (36°C).
- Compact size is ideal for small aquariums.**
Suitable for freshwater and saltwater aquariums.

2.PRODUCT SPECIFICATIONS

Model	HG273 -25W	HG273 -50W	HG273 -100W	HG273 -150W	HG273 -200W	HG273 -300W
Applicable aquarium size	2-5Gal (7.5-19L)	5-10Gal (19-38L)	10-20Gal (38-75L)	20-30Gal (75-115L)	30-40Gal (115-152L)	40-80Gal (152-302L)
Volt/Freq	US standard: AC 110-120V/60Hz UK/EU/AU standard: AC 220-240V/50Hz					
Cord length	2.6ft+3.9ft(0.8m+1.2m)					
Temp accuracy	1°F (1°C)					
Temp tolerance	±1°F(±1°C)					
Temp range	59-93°F(15-34°C)					
Heating rod dimension	6.1"x1.06" (15.5Lx2.7cm diameter)			8.1"x1.06" (20.6cmLx2.7cm diameter)		

3. INSTRUCTIONS

a) Upon power connection, the digital display flashes for 3 seconds. You can set your desired temperature. The indicator light turns red, and the heater is activated.

b) The light turns green when the set temperature is reached, indicating standby mode (no heating). Heating automatically reactivates if temperatures drop 1°F (1°C) or below the set temperature.

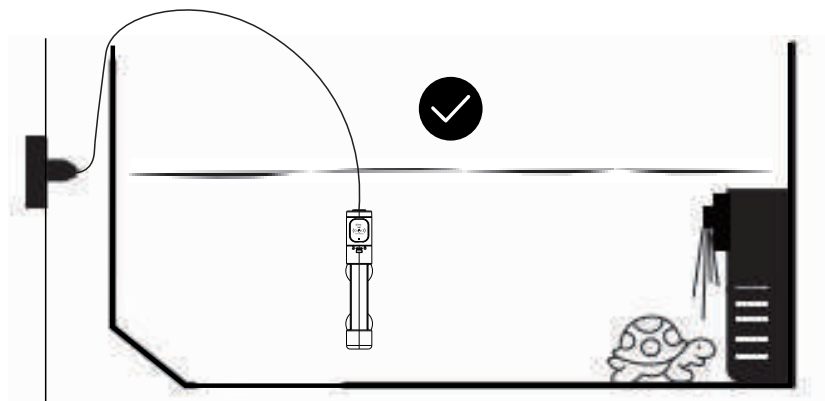
Example: Setting Temperature to 90°F

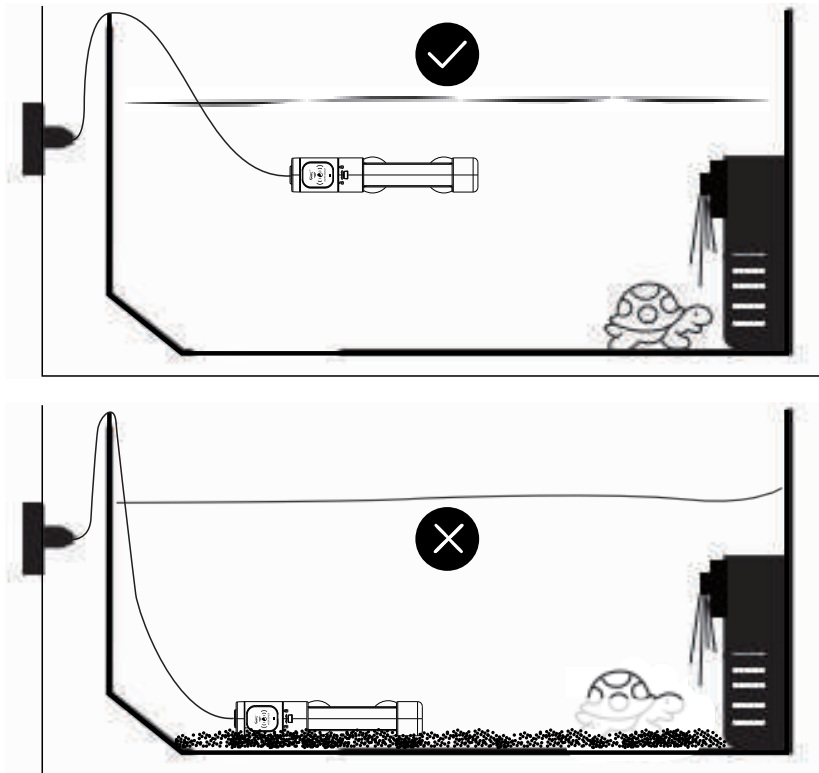
Press and hold the "SET" button until "90" appears on the display.

Wait for the numbers to blink rapidly, then release the button. The screen will now show the current water temperature. Your setting is complete. Briefly press the "SET" button again to instantly review your last saved temperature.

Application Method :

Place the heater as shown in the illustrations below





4. MAINTENANCE

- Unplug or switch off all appliances in the aquarium before carrying out maintenance.
- Do not use detergents or other chemical cleaners.
- To clean the heater, unplug it and wait 15 minutes before removing it from the aquarium. Clean the heater in clean water.

5. TROUBLESHOOTING

Fault	Cause	Solution
Er	Dry-Run protection triggered	Fully submersible into the water
EE flashes	Temperature exceeds 97°F (36°C)	Submerge the heater in cooler water or wait until temperature drops by at least 1°F (1 °C). The “EE” alert will clear automatically
The heater displays a red indicator when exposed to air	Failed automatic shutoff function	Clean the heater’s surface thoroughly. Verify if the indicator turns green when removed from water
The heater runs but cannot reach the set temperature	Ambient temperature below 50°F (10°C) or the set temperature differs from the ambient temperature by 50 °F (10 °C)	Use a higher-wattage heater or install an additional heater

Fault	Cause	Solution
H1	Probe malfunctions	Immediately unplug the heater. Discontinue use permanently. Replace with a new heater.
H2		
E1		
E2		
E8		
EL	10,000-hour usage reminder	This reminder cannot be cleared. Replace the heater for safety reasons

6. WARNING

To avoid possible electric shock, do not immerse the switch in the water. If the switch falls into the water or becomes wet, do not touch it until you have unplugged it. Basic safety precautions that should be observed are as follows:

1. Read and follow this user manual strictly.

2. **DANGER-** To avoid possible electric shock, special care should be taken since water is employed in the use of aquarium equipment. For each of the following situations, do not attempt to repair yourself. Instead, return the heater to an authorized service facility for maintenance or discard it.

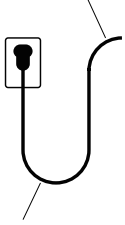
A. If the heater show any sign of abnormal working or, unplug the power and remove the heater from the water after 15 minutes.

B. Carefully examine the heater after installation. It should not be plugged in if there is water on parts that are not intended to be wet.

C. Do not operate the heater if it has a damaged cord or plug, is malfunctioning, dropped, or damaged in any manner. The power cord of this heater cannot be replaced. If the cord is damaged, the heater should be discarded.

D. To avoid the possibility of the heater plug getting wet, position the aquarium and its stand to one side of a wall mounted outlet to prevent water from dripping onto the outlet or plug. A “drip loop”, shown in the figure below, should be arranged by the user for each cord, which connects the heater to the outlet. If an extension cord is used, the “drip loop” is the part of the cord below the level of the outlet or the connector that prevents water from traveling along the cord and coming in contact with the outlet. If the plug or outlet does get wet, **DO NOT** unplug the cord. Disconnect the fuse to the circuit breaker that supplies power to the heater. Then, unplug and examine for the presence of water in the outlet. If you are not sure, consult a certified electrician.

POWER CORD



DRIP LOOP

3. Close supervision is necessary when the heater is used near children.
4. This heater is not allowed to use by persons (including children) with reduced physical sensory or mental capabilities, or lack of experience and knowledge unless they have been given supervision or instruction concerning the use of the heater by a person responsible for their safety.
5. To avoid injury, do not contact moving or hot parts.
6. Always unplug the heater from the outlet when not in use, before putting on or taking off parts, maintenance, or placing hands in the water. Never yank the cord to pull the plug from the outlet. Grasp the plug and pull to disconnect.
7. Do not use the heater for other than intended use. The use of attachments not recommended or sold by the appliance manufacturer may cause an unsafe condition and will void the warranty.
8. Do not install or store the heater where it will be exposed to extreme weather or temperatures below freezing.
9. Only use the heater in freshwater or saltwater, do not use it in other liquids.
10. Make sure the heater is securely installed before operating it.
11. Read and observe all the important notices on the heater.
12. If an extension cord is necessary, a cord with a proper rating should be used, such as rated amperes or watts. A cord rated for fewer amperes or watts than the heater rating may overheat. Care should be taken to arrange the cord so that it will not be tripped over or pulled.
13. The 2-conductor power cord has a polarized plug (one blade is wider than the other.) As a safety feature, this plug will fit in a polarized outlet only one way. If the plug does not fit fully in the outlet, reverse the plug. If it still does not fit, contact a qualified electrician. Never use it with an extension cord unless the plug can be fully inserted. Do not attempt to defeat this safety feature.
14. The heater is intended FOR HOUSEHOLD USE ONLY.
15. SAVE THIS USER MANUAL.

7. ATTENTIONS

- √ Please check all the items to inspect their condition when unboxing the package.
- √ Please read this user manual carefully before using it and follow it strictly.
- √ Please choose a heater rated for your aquarium.
- √ Please place the heating rod in the direction of water flow and don't bury it in the substrate.
- √ It is suggested that the heater is submerged more than 5 inches below the water.
- √ Please make sure the heating rod is fully submerged during operation. Unplug the heater and wait 15 minutes before changing the water or removing the heater.
- √ Please note that the heater can be turned off automatically when exposed to air, but it is a last resort and should be avoided.
- √ After using the heater for a while, calcium carbonate in algae or moss may clump and adhere to the heating rod.
- √ If dirt adheres to the heating rod, use a sponge or cloth and water to wipe it. Do not use alcohol or other chemicals, which may damage the heater and harm the fish or livestock.
- √ If you use the heater for a prolonged period with dirt adhered to the heating element, please be aware that failure may occur due to the inability to control the temperature correctly.
- √ Please place the heating rod far from the magnetic brush since the magnet may damage the heating element.
- √ There will be a slight mist on the inner wall of the tube while heating, and it will disappear slowly after the heating stops, which means it's a normal phenomenon. So you don't have to worry about it; it is a safe and double-protected product that has passed the UL certification.

8. DISPOSAL

Do not dispose of this product as unsorted municipal waste. Collection of such waste separately for special treatment is necessary. This product has to be disposed of at an authorized place for the recycling of electrical and electronic appliances rather than being disposed of together with the domestic waste. Collecting and recycling waste is a way of saving natural resources. So, please consult with your local seller to make sure the product is disposed of in an environmentally friendly way.



9. PACKING LIST

- 1x Heater with an external controller
- 2x Suction cup
- 1x User manual

10. CONTACT INFORMATION

E-mail: service@hygger-online.com
Website: www.hygger-online.com