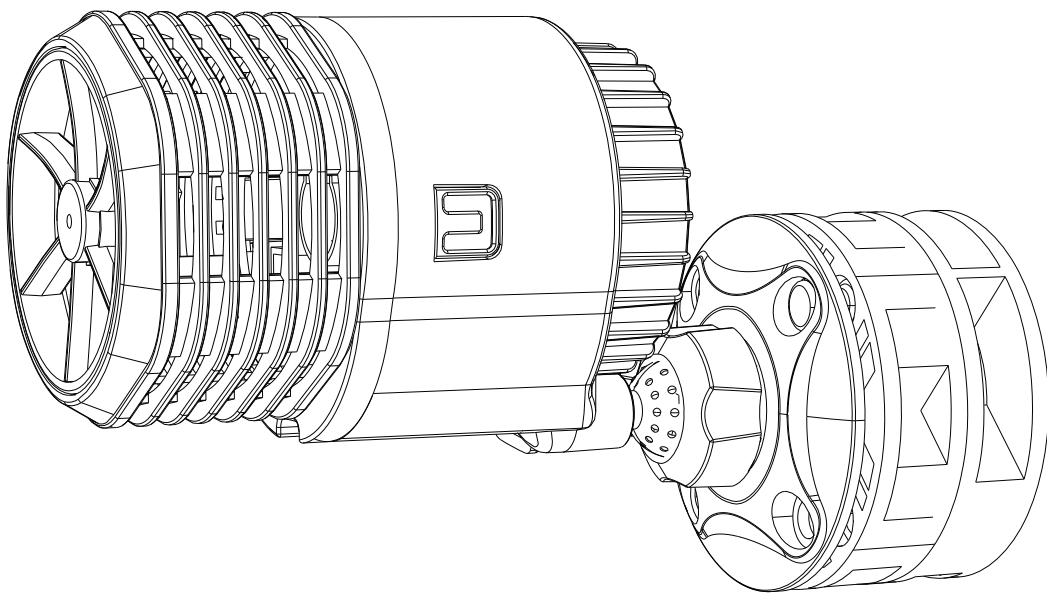




HG272 USER MANUAL

hygger AC Wave-Making Pump



hygger AC Wave-Making Pump generates strong water flow and enhances water circulation. This helps stabilize water quality, increase the dissolved oxygen in water, and promote fish growth.

WARNINGS:

- 1.To ensure performance, do not let the pump run dry.
- 2.Be careful when installing the magnetic base. Move the magnetic base parallel to the outer wall of the fish tank to prevent it from cracking.
- 3.Do not immerse the plug in water or other liquids.
- 4.Do not allow children or inexperienced individuals to operate this device alone without safety supervision.
- 5.This pump is unsuitable if you wear a pacemaker or have a defibrillator implanted.

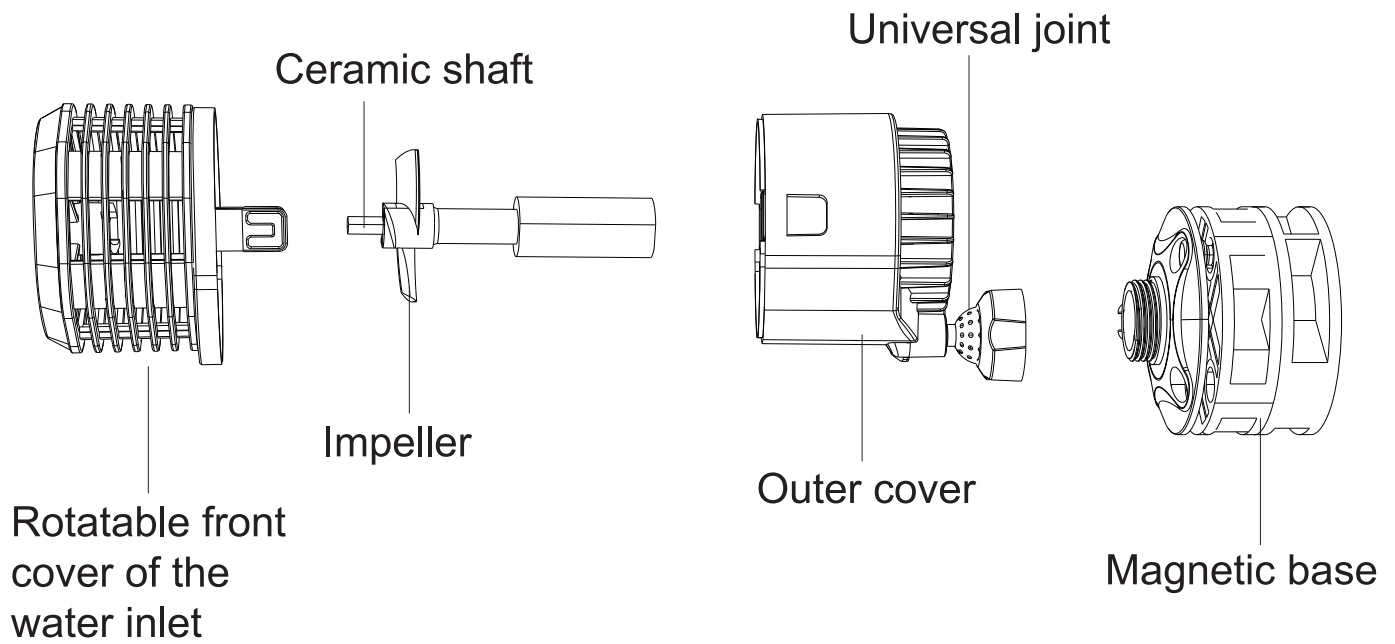
1. PRODUCT FEATURES

- 1.The water flow direction can be set at different angles as required. (360°)
- 2.The rotatable water inlet cover can adjust the flow rate and prevent fish from being blocked.
- 3.High-performance motor, low noise operation.
4. Unique anti-reverse design. It adopts wear-resistant ceramic shafts and is suitable for freshwater and seawater environments.

2. PRODUCT SPECIFICATIONS

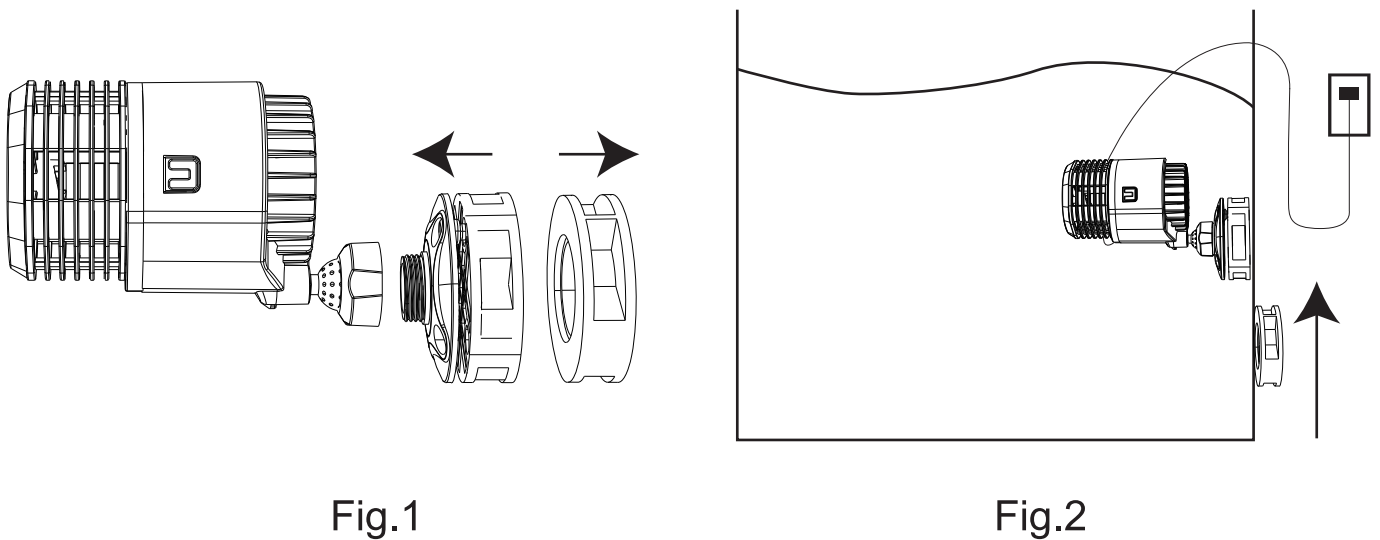
Model	HG272-4W	HG272-10W	HG272-18W
Voltage	US standard: AC 110-120V/60Hz UK/EU/AU standard:AC 220-240V/50Hz Japan standard:AC 100-110V/50-60Hz		
Flow rate	750GPH (2838L/H)	1500GPH (5677L/H)	2500GPH (9462L/H)
Product size	φ60*134MM (φ2.4*5.28")	φ60*160MM (φ2.4*6.3")	80*70*170 MM (3.14*2.75*6.7")
Suitable tank length	12-20" (30-50CM)	20-39" (50-100CM)	31-59" (80-150CM)
Suitable tank	5-15Gal (19-57L)	20-80Gal (75-302L)	60-150Gal (227-567L)
Suitable fish tank wall thickness	≤8MM (0.3")	≤12MM (≤0.5")	6-15MM (0.24-0.6")
Cord length	5.9FT(1.8M)		

Installation Diagram:



① Connect the pump head to the base. Remove the magnetic base from the bottom of the pump. Place the pump in the center of the fish tank wall and hold it firmly with one hand.(Fig.1)

② Move the magnetic base along the outer wall to the same position and fix the pump with the other hand.(Fig.2)

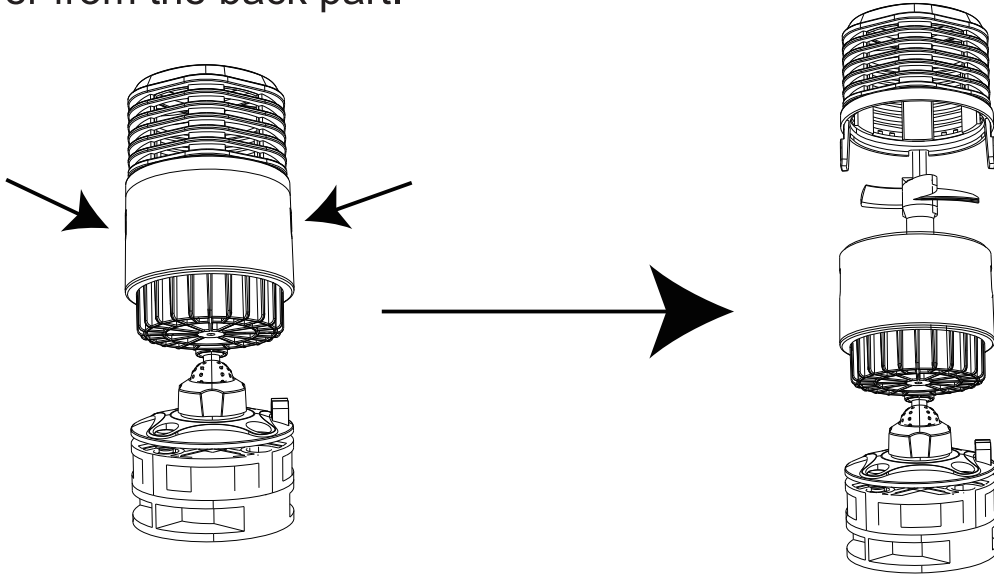


Caution: Be careful not to pinch your fingers. It has a very strong magnetic force.

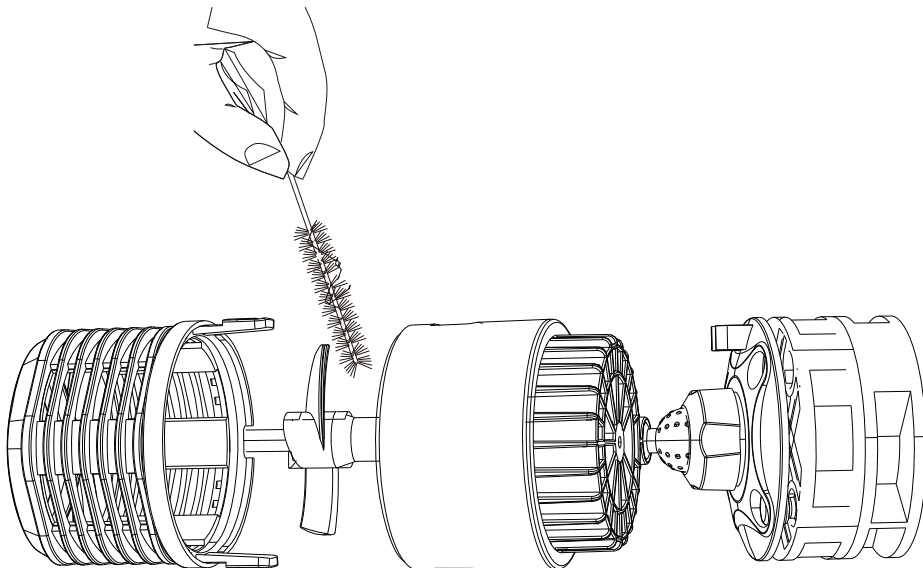
③ Connect the power supply. The pump is ready and can start running.

3. MAINTENANCE

- ① Clean the pump regularly to ensure performance.
- ② Press the two clasps on the outer cover to separate the front part of the cover from the back part.

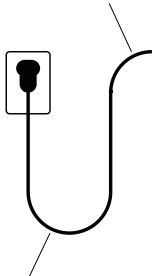


- ③ Clean the impeller and ceramic shaft with a soft cloth or small brush in clean water to keep it clean.



- ④ The pump's power cord must be positioned below the power outlet to form a "DRIP LOOP", preventing water from flowing along the cord into the outlet.

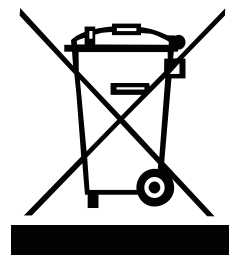
POWER CORD



DRIP LOOP

4. DISPOSAL

Please don't dispose this product as unsorted municipal waste. Collection of such waste separately for special treatment is necessary. Not put it together with the domestic waste which should be solved as an authorized place for recycling of electrical and electronic appliances for collecting and recycling waste. Please consult with your local seller to make sure the product is disposed in an environmental friendly way.



5. PACKING LIST

1x Wave pump
1x User manual

6. CONTACT INFORMATION

E-mail: service@hygger-online.com
Website: www.hygger-online.com