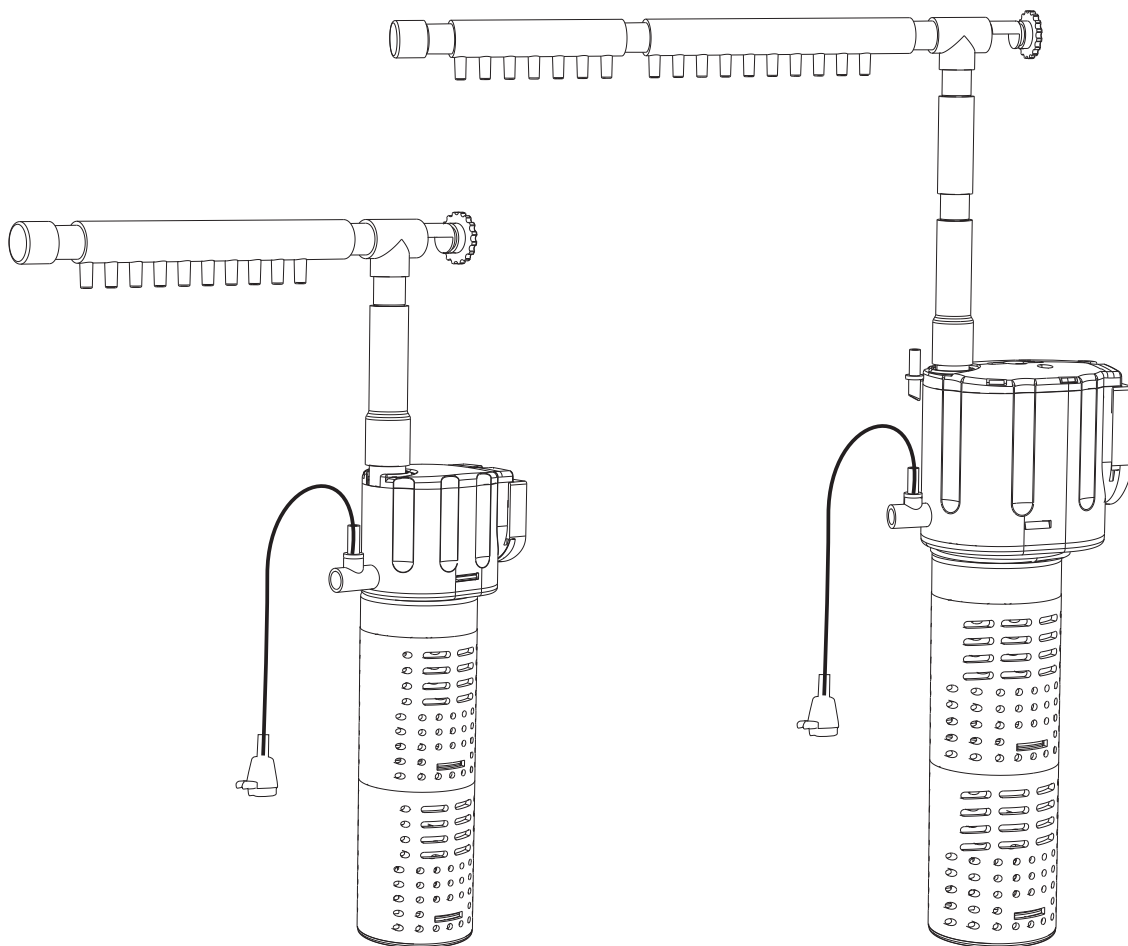




# HG271 USER MANUAL

## hygger Aquarium 5-in-1 Internal Filter



**HG271-5W**

**HG271-10W**

hygger Aquarium 5-in-1 Internal Filter combines culture of microorganisms, filtration, oxygenation, circulation, wave-making in one, is the best choice for freshwater and saltwater aquarium water cleaning, keep it in a good condition.

## REMINDING:

1. Ensure that the voltage and current are consistent with the rated voltage and current specified on the product. The filter must be fully submerged to prevent running dry damage.
2. The rain shower pipe can adjust the water flow to prevent the sound of water from affecting sleep, and the water output can be reduced at night.
3. Unplug the power supply before moving or cleaning the tank for safety.
4. Do not touch the mains plug with wet hands.
5. Regular maintenance of the filter: Clean the internal filter sponge every 10- 15 days to ensure effective filtration.

## 1.PRODUCT FEATURES

**5-in-1 Multifunctional:** The sponge filter element provides high- efficiency filtration, and the high-density sponge can purify and improve water quality.

**Classic Appearance:** Adopting special upper and lower drainage structures, compact and space-saving, can be used even at low water levels. The convenient disassembly and assembly design makes operation easier.

**Improve Water Quality:** Its rapid water flow brings great water circulation. The combination of an efficient filtration system, it can significantly enhance water quality. The oxygen regulation function increases the dissolved oxygen content in water, making fish more active.

**Multiple Drainage Options:** Equipped with underwater water outlet and rain shower pipe, the pipe can be rotated 180° for flexible use.

**Low-noise and Durable:** The wear-resistant ceramic shaft and high-quality ABS plastic housing ensure a long service life and low-noise operation.

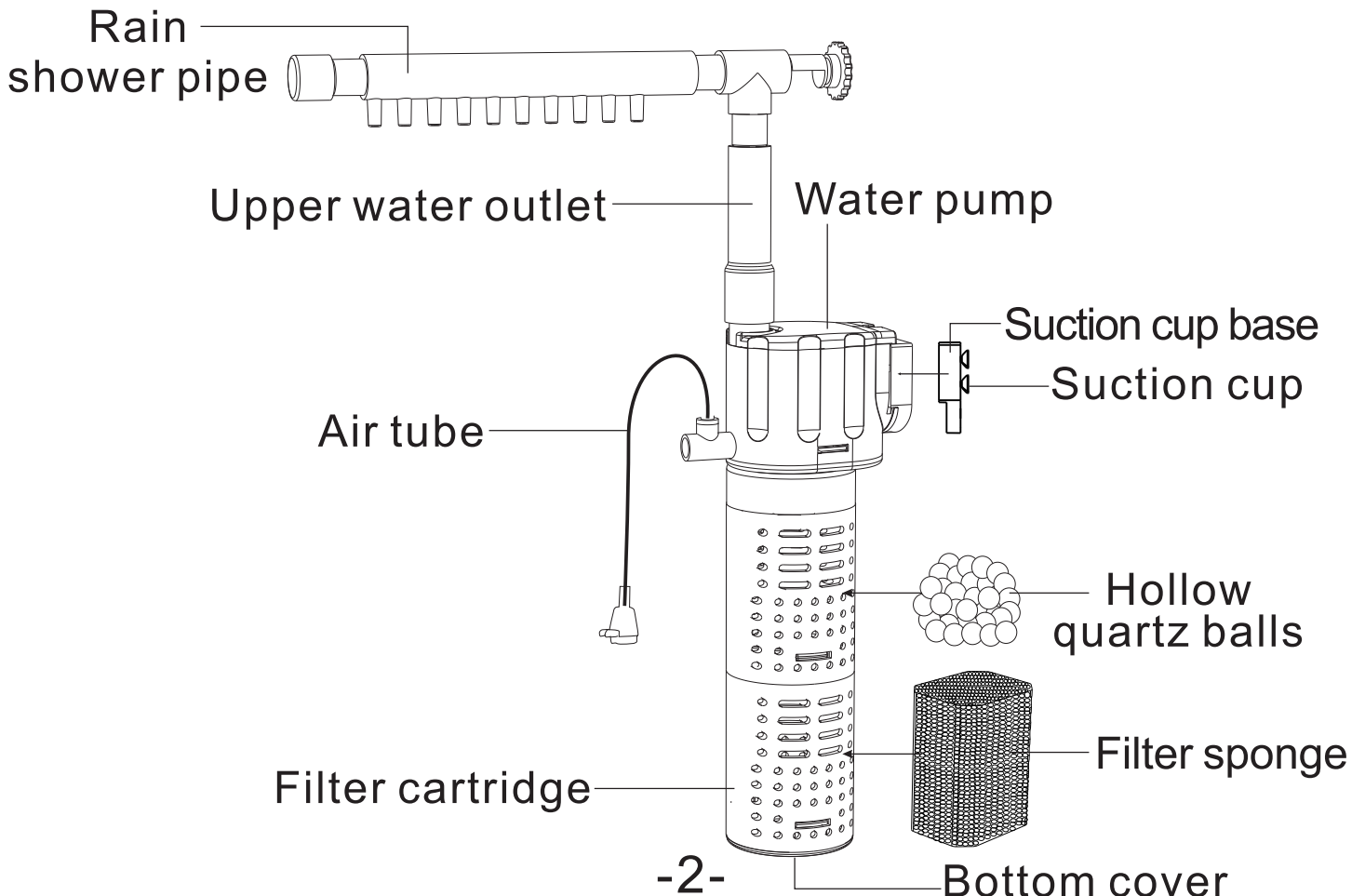
**Culture of Microorganisms:** Hollow quartz balls can effectively promote the growth of microorganisms and help maintain stable water quality.

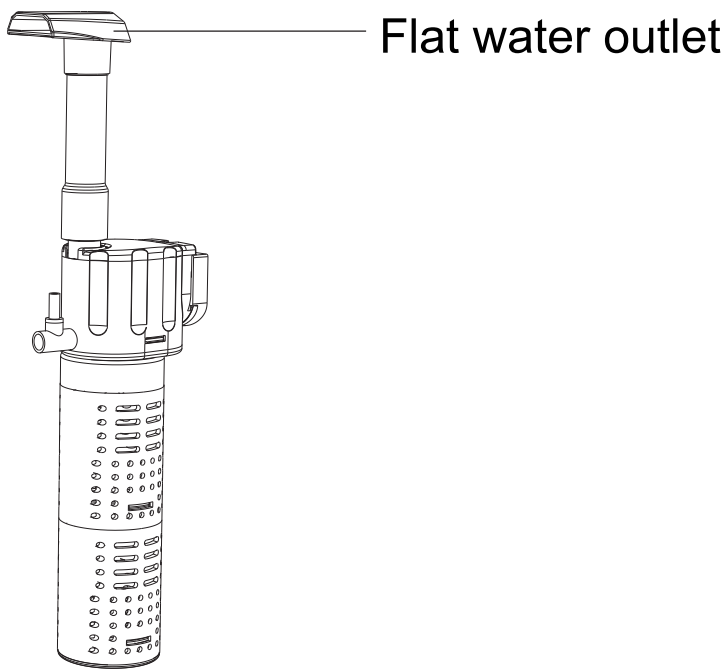
## 2.PRODUCT SPECIFICATIONS

<b>Item No.</b>	HG271-5W	HG271-10W
<b>Volt/Freq</b>	US standard: AC 110-120V/60Hz UK/EU/AU standard: AC 220-240V/50Hz Japan standard: AC 100-110V/50-60Hz	
<b>Power</b>	5W	10W
<b>Flow rate</b>	80GPH(300L/H)	210GPH(800L/H)
<b>Max.Head</b>	14inch (35CM)	26inch (65CM)
<b>Suitable fish tank size</b>	5-15GAL(15-55L)	15-30GAL(55-110L)
<b>Product dimension</b>	2.36*1.57*7.3inch (6*4*18.5CM)	2.75*2.36*8.7inch (7*6*22CM)
<b>Cord length with plug</b>	6Ft/1.8M	6Ft/1.8M

## 3.INSTALLATION PROCEDURES

### Product diagram



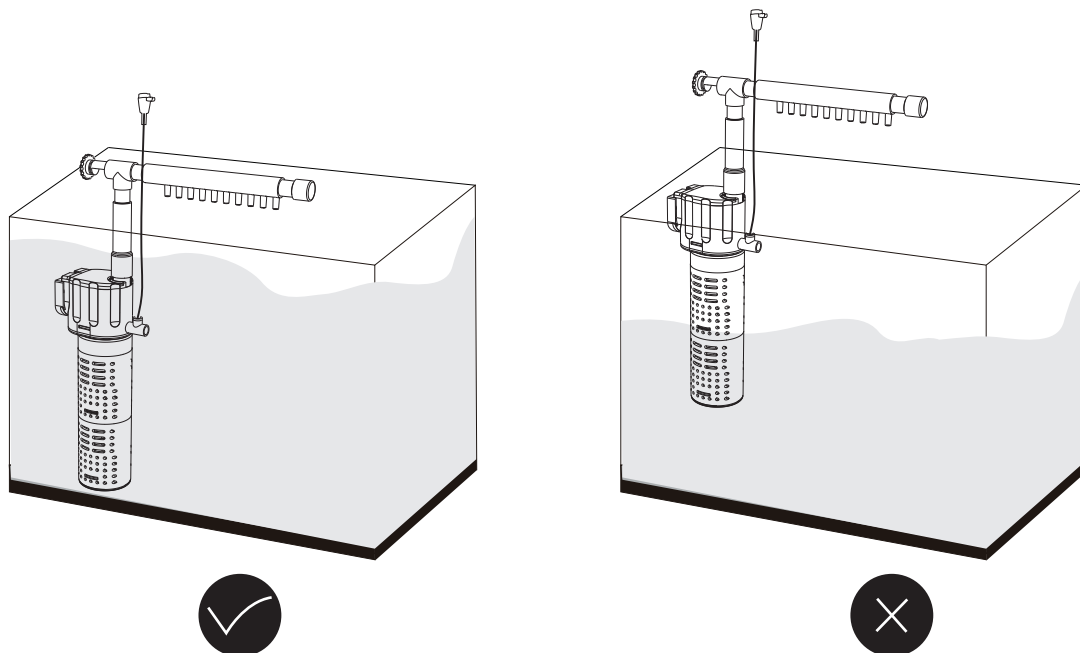


**Step 1:** Open the package and check the accessories to ensure that all accessories are present and not damaged.

**Step 2:** Attach the suction cups on the base, connect the rain shower pipe to the water outlet, then connect the air hose to the water outlet.

**Step 3:** Cleaning the hollow quartz balls, and then put it into the filter cartridge.

**Step 4:** Secure the filter to the inside of the aquarium wall via suction cups.(make sure the pump is fully submerged in water)

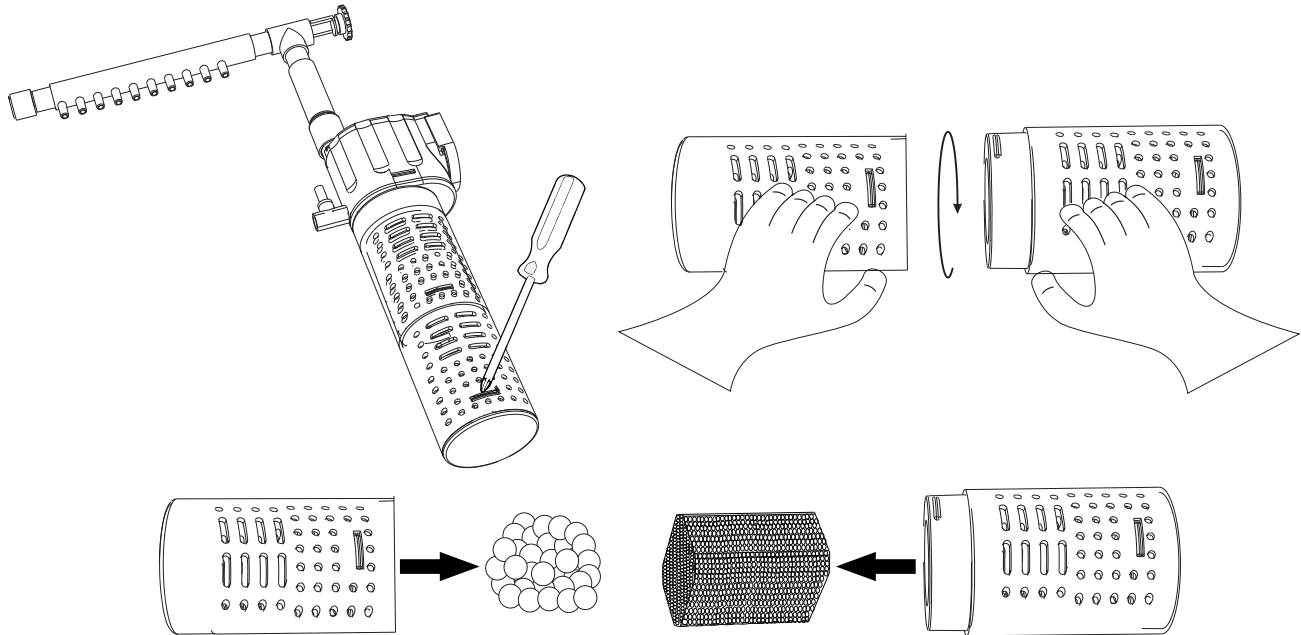


**Step 5:** Power on, the filter runs.

**NOTE:**

① If the water output decreases noticeably or the filtration effect is poor, please clean or replace the carbon sponge in time to ensure that the aquarium stays in the best condition.

② How to disassemble and clean the filter:



## 4. TROUBLESHOOTING

Trouble	Reason/Solution
Pump doesn't work	Filter is not start
	Main power supply doesn't match the specified power supply on the filter
	Inlet or outlet is blocked
	Impeller or rotor is damaged
Reduced water flow	Voltage is lower than the rated voltage
	Waste buildup in the filtration system
Filter has noise	Inlet is partially blocked
	Water level is below the inlet of the filter
	Air is entering the filter causing noise
	Rotor is worn (need to be replaced)

## **5.IMPORTANT SAFETY CAUTIONS**

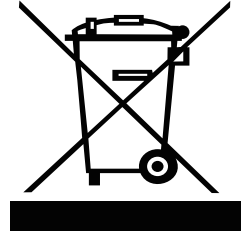
1. Please operate the equipment at the rated voltage and frequency as indicated on the rating label and user manual.
2. A residual current device rated 10mA or 30mA must be installed on the main power supply.
3. The power cord cannot be replaced. If the power cord or plug shows signs of wear, damage, or aging, please stop using this filter immediately. Please do not attempt to shorten or unplug the power cord. Failure to comply with these rules may result in damage to the filter.
4. If an abnormal smell or noise is detected from the filter, please unplug it immediately and check for the cause.
5. When plugging or unplugging the filter, ensure your hand and the plug are dry. Do not plug or unplug the filter with wet hands, as this may result in an electric shock.
6. Before installing or cleaning the filter, unplug it. When unplugging, do not pull the power cord suddenly, but hold the plug gently and remove it from the socket.
7. Properly protect the filter. If the filter suffers a severe impact, check for any damage. If there is any breakage, stop using the filter and dispose of it.
8. Do not let the filter run dry, as this will damage the rotor and will cause overheating of the motor.
9. Do not operate or place the filter in a freezing environment.
10. Always keep the filtering part from being clogged. Otherwise, the flow rate will decrease, and the impeller will stop working.
11. Do not use the filter in flammable or corrosive liquids. The filter should be operated in an environment less than 104 °F.

## **6.PACKING LIST**

- 1x Filter with sponge
- 1x Pump with power cord
- 4x Suction cup
- 1x Rain shower pipe
- 1x Air tube
- 1x Bag of quartz balls
- 1x User manual

## 7.DISPOSAL

Do not dispose this product as unsorted municipal waste. This product must not be disposed together with the domestic waste it must be disposed of at an authorized place for recycling of electrical and electronic appliances. By collecting and recycling waste, you help save natural resources, and make sure the product is disposed in an environmentally friendly way.



## 9.CONTACT INFORMATION

E-mail: [service@hygger-online.com](mailto:service@hygger-online.com)

Website: [www.hygger-online.com](http://www.hygger-online.com)