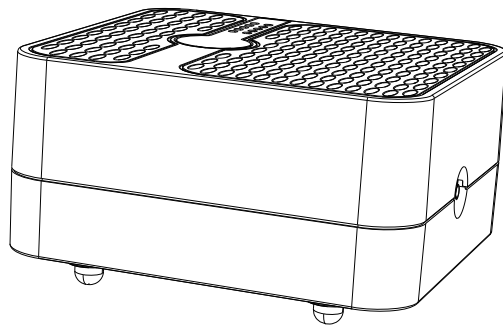


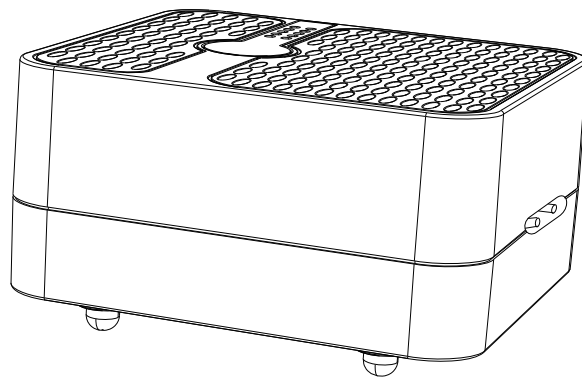


HG233 USER MANUAL

hygger PowerGo Aquarium Air Pump



HG233-2.5W



HG233-5W

hygger PowerGo Aquarium Air Pump is specially designed for aquariums. It is ideal for providing an essential backup air source for outdoor fishing, power outages, or fish transportation.

Please read this user manual carefully before use and keep it for future reference; follow the manual to ensure proper use.

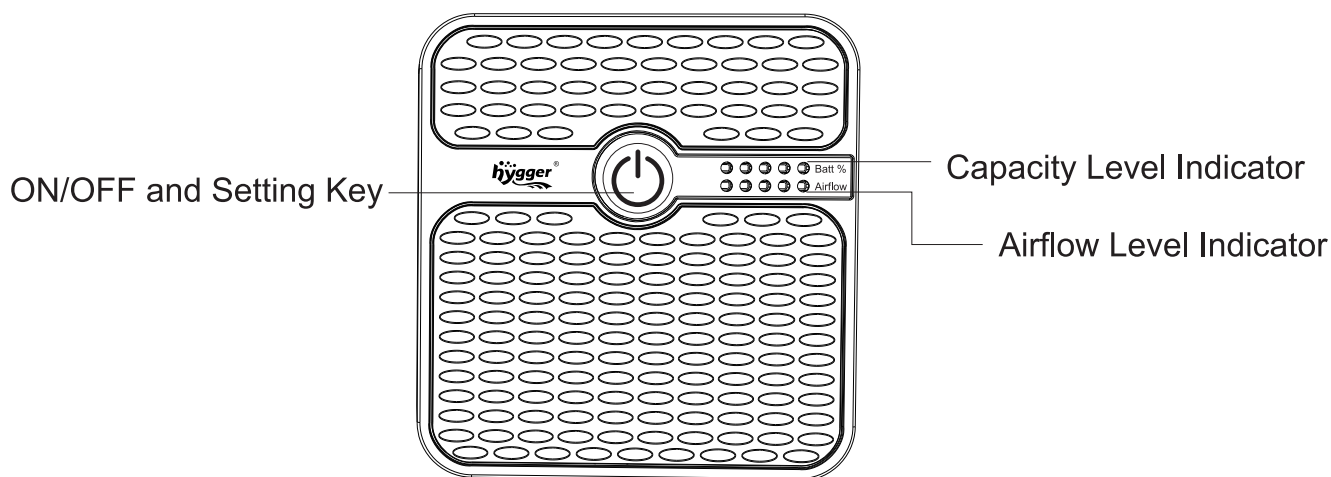
1. PRODUCT FEATURES

- **Portable and Rechargeable:** The aquarium air pump is an essential backup source for outdoor fishing, power outages, or fish transportation.
- **Four-level Adjustable Airflow:** This air pump is equipped with an adjustable intelligent touch screen, allowing for easy adjustment of the air output as needed.
- **Low Noise Operation:** The anti-vibration foot pads at the bottom minimize vibration, ensuring low-noise operation.
- **AC/DC Automatic Switch:** It can be used as a standard fish tank air pump when the AC power supply is connected, but when the power is cut off, it will switch to DC power supply mode.



2. PRODUCT SPECIFICATIONS

Model	HG233	
Input Volt/Freq	AC100-240V ~50/60Hz	
Output Volt	DC 5V	DC 5V
Power	2.5W	5W
Air Flow	24GPH(1.5L/MIN)	80GPH(2*2.5L/MIN)
Outlet	1	2
Pressure	18Kpa	20Kpa
Suitable Depth	2.9FT/0.9M	3.9FT/1.2M
Product Dimension	82x77x39MM (3.23x3.03x1.53")	93x87x48MM (3.66x3.43x1.89")

3. INSTRUCTIONS FOR USE



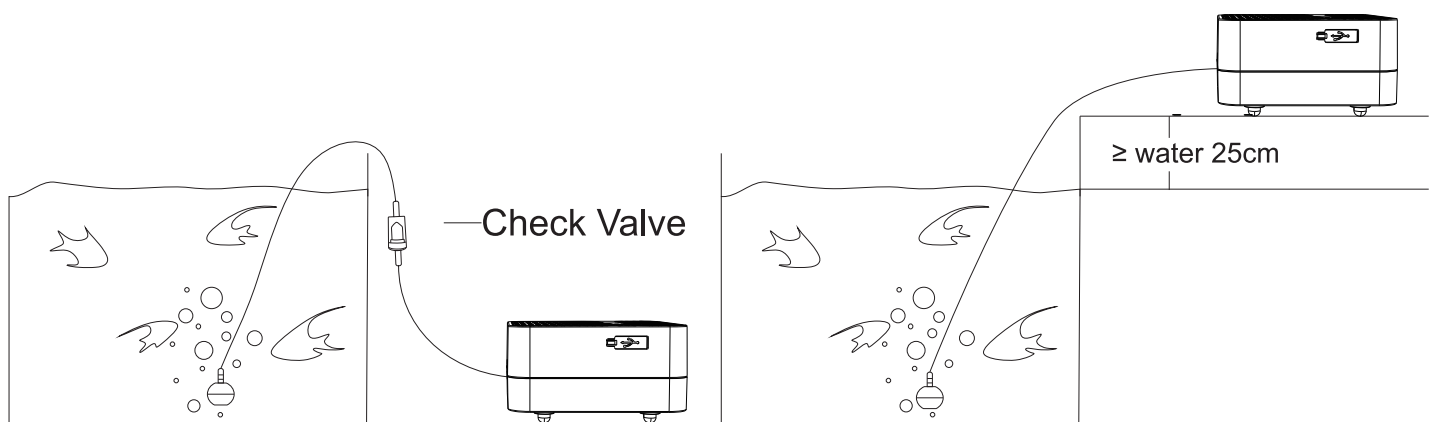
CONTROL PANEL

1. Connect the air tube to the outlet of the air pump.
2. Disconnect the air tube between the device and the air pump, then connect the check valve between them. Ensure the flapper end of the valve (which looks like a colored or horizontal bar) faces toward the air pump.
3. Connect the air tube to the air stone.
4. Press and hold the ON/OFF key for about 5 seconds to start or stop the air pump.
5. Adjust the airflow by touch  button to set the “1~4” speed level. The red indicator lights in the second row light up from left to right, indicating the speed from “1~4” .
6. By touching the  key twice, you can switch between the normal mode and the intermittent mode. When the blue indicator light in the second row flashes, it indicates that it is in intermittent mode. Otherwise, it is in a normal working state.
7. Remaining capacity level display: The power is fully charged when all five indicator lights in the upper row are green. When the first indicator light flashes, indicating it is out of power. Please charge it in time.

A. There are three installation methods for the air pump:

Picture 1: If the air pump is placed below the level of the tank's water surface, you MUST install it with check valves. If you do not use a check valve, the water will backflow to the pump and cause damage.

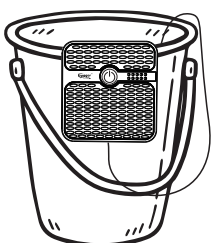
Picture 2: To avoid water backflow, place the air pump 25 cm (approximately 10 inches) higher than the tank's water surface.



Picture 1

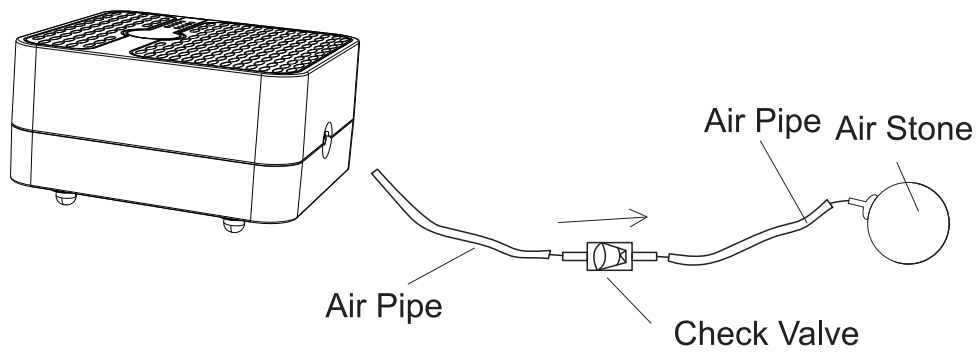
Picture 2

Picture 3: As a fishing live bait aerator when outdoor fishing.



Picture 3

How to install the air pump with check valves:



4. PACKING LIST

HG233-2.5W	HG233-5W
1x Portable air pump	1x Portable air pump
1x Air tube	2x Air tube
1x USB-C charging cable	1x USB-C charging cable
1x Air stone	2x Air stone
1x Check valve	2x Check valve
1x User manual	1x User manual

5. ATTENTIONS

- Please read this user manual carefully before use and follow it strictly.
- Locate the unit above water level to prevent water from flowing backward (or fit with a non-return valve).
- Before starting up the device for the first time, it is recommended that you charge the unit for approximately 3-5 hours to 100% capacity until the charging indicator displays all green to ensure that the air pump is in the best initial condition. (Don't unplug the charging cable immediately after a full charge. Please wait for a while before unplugging it.)
- Place the air pump level flat and put a towel or rubber mat under the pump to further reduce the sound.
- Please do not immerse the air pump in water because the air pump is IPX4 waterproof, which only protects against water splashes.
- Please keep the air pump away from combustible material to avoid accidents.
- Please unplug the power and contact the seller if the air pump is making abnormal sounds, overheating, or has no air output.
- Please soak the air stones for 1-2 hours before first use.
- Please mind that the operating temperature range for the air pump is between 33.8°F~95°F (1°C~35°C).
- Please note that the maximum water depth for the attached air stone is 6.5 feet (2m).

6. TROUBLESHOOTING

Faults	Explanations	Solutions
Noticeable noise	Place the air pump on an uneven surface	Ensure the air pump is placed on an even surface with a towel at the bottom
Reduced airflow	Water is too deep	Shorten the distance between air pump connected device and water surface
	The air stone was not soaked in the water before use	Soak the air stone in the water for half an hour before first use
	The air tube is blocked or the air stone is aged	Clean or replace the accessories
The pump is not working	Low capacity state	Charge in time
	Damage	Contact seller

7. WARNING

To avoid possible electric shock, do not immerse the air pump in the water when energized. If the pump falls into the water or becomes wet, do not touch it until you have unplugged it. Basic safety precautions that should be observed are as follows:

CAUTION: To prevent possible machine damaged resulting from water back-siphoning, the pump should be used with a check valve or positioned higher than the tank's water level.

1. Read and follow this user manual strictly.

2. DANGER- To avoid possible electric shock, special care should be taken since water is employed in the use of aquarium equipment. For each of the following situations, do not attempt to repair yourself. Instead, return the pump to an authorized service facility for maintenance or discard it.

A. If the pump falls into the water, do not touch it. First unplug it, then retrieve it. If electrical components of the pump get wet, unplug the pump immediately.

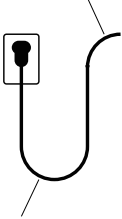
B. Carefully examine the pump after installation. It should not be plugged in if there is water on parts that are not intended to be wet.

C. Do not operate the pump if it has a damaged cord or plug, is malfunctioning, dropped or damaged in any manner. The power cord of this pump cannot be replaced. If the cord is damaged, the pump should be discarded.

D. To avoid the possibility of the pump plug getting wet, position the aquarium and its stand to one side of a wall mounted outlet to prevent water from dripping onto the outlet or plug. A "drip

loop”, shown in the figure below, should be arranged by the user for each cord, which connects the pump to the outlet. If an extension cord is used, the “drip loop” is the part of the cord below the level of the outlet or the connector that prevents water from traveling along the cord and coming in contact with the outlet. If the plug or outlet does get wet, DO NOT unplug the cord. Disconnect the fuse to the circuit breaker that supplies power to the pump. Then unplug and examine for the presence of water in the outlet. If you are not sure, consult a certified electrician.

POWER CORD



DRIP LOOP

3. Close supervision is necessary when the pump is used near children.
4. Disassembly is prohibited: Do not disassemble the air pump by yourself to avoid damaging the circuit.
5. To avoid injury, do not contact moving or hot parts.
6. Do not use the pump for other than intended use. The use of attachments not recommended or sold by the appliance manufacturer may cause an unsafe condition and will void the warranty.
7. Avoid over discharging: charge immediately when the power level is below 20%.
8. Do not install or store the pump where it will be exposed to extreme weather or temperatures below freezing. This pump is suitable for use in water temperatures between 34°F~95°F (1°C~35°C).
9. Make sure the pump is securely installed before operating it.
10. If an extension cord is necessary, a cord with a proper rating should be used, such as rated amperes or watts. A cord rated for fewer amperes or watts than the pump rating may overheat. Care should be taken to arrange the cord so that it will not be tripped over or pulled.
11. The pump is suitable for household, aquarium outdoor fishing, and other occasions.
12. SAVE THIS USER MANUAL.

8. DISPOSAL

Do not dispose of this product as unsorted municipal waste. Collection of such waste separately for special treatment is necessary. This product has to be disposed of at an authorized place for the recycling of electrical and electronic appliances rather than being disposed of together with the domestic waste. Collecting and recycling waste is a way of saving natural resources. So, please consult with your local seller to make sure the product is disposed of in an environmentally friendly way.



9. CONTACT INFORMATION

E-mail: service@hygger-online.com

Website: www.hygger-online.com