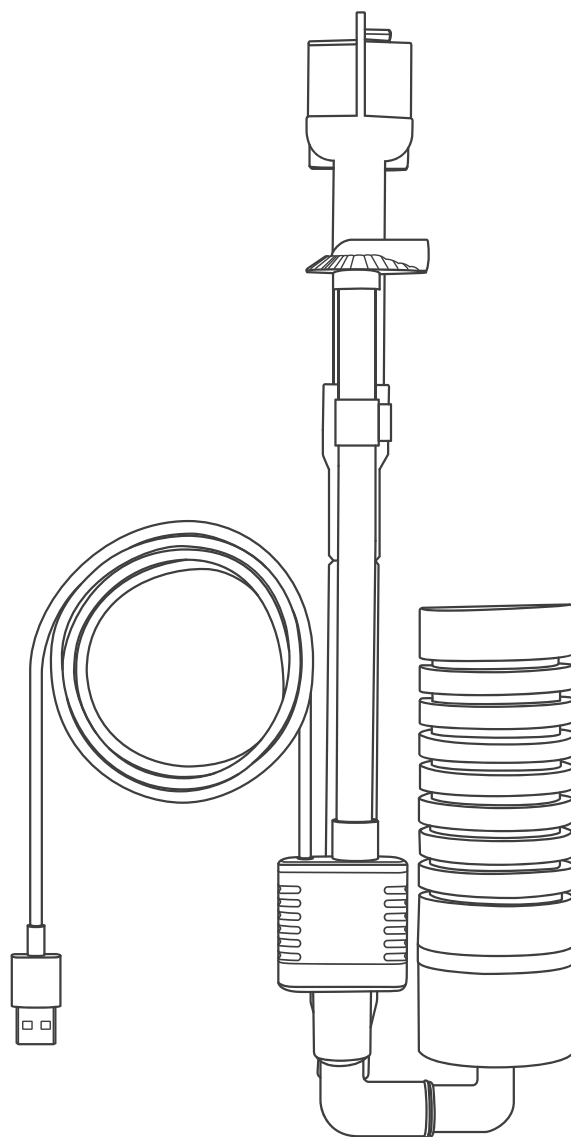




HG176 USER MANUAL

hygger USB Electric Aquarium Sponge Filter



hygger USB Electric Aquarium Sponge Filter is a versatile device that serves as a filter, oxygenator, and water circulator, ideal for various aquarium tanks and fish species.

PLEASE NOTE: THE PACKAGE DOES NOT INCLUDE A DC 5V 1A ADAPTER.

1. PRODUCT FEATURES

Recyclable Biochemical Sponge: The multifunctional DC-powered biochemical sponge filter (5V, 1A adapter not included) features a single ribbed design to enhance filtration efficiency, oxygenation, and water circulation.

Integrating Mechanical and Biological Filtration: The biochemical sponge effectively traps debris within the aquarium, while quartz balls foster the growth of beneficial bacteria, enhancing the aquarium's natural biological filtration process. The sponge and filter balls are designed for easy cleaning and replacement, ensuring maintenance efficiency and longevity.

Enhance Oxygenation and Filtration: The water pump ensures efficient water recirculation, while the shower waterfall design effectively boosts dissolved oxygen levels in the aquarium.

Retractable Air Outlet Pipe: Easily modify the air outlet height to suit your needs.

Simple Setup and Maintenance: This sponge filter is straightforward to install and clean. All components, including the sponge and ceramic balls, are easily accessible for maintenance. The ceramic balls can also be replaced with other bio-filter media as desired.

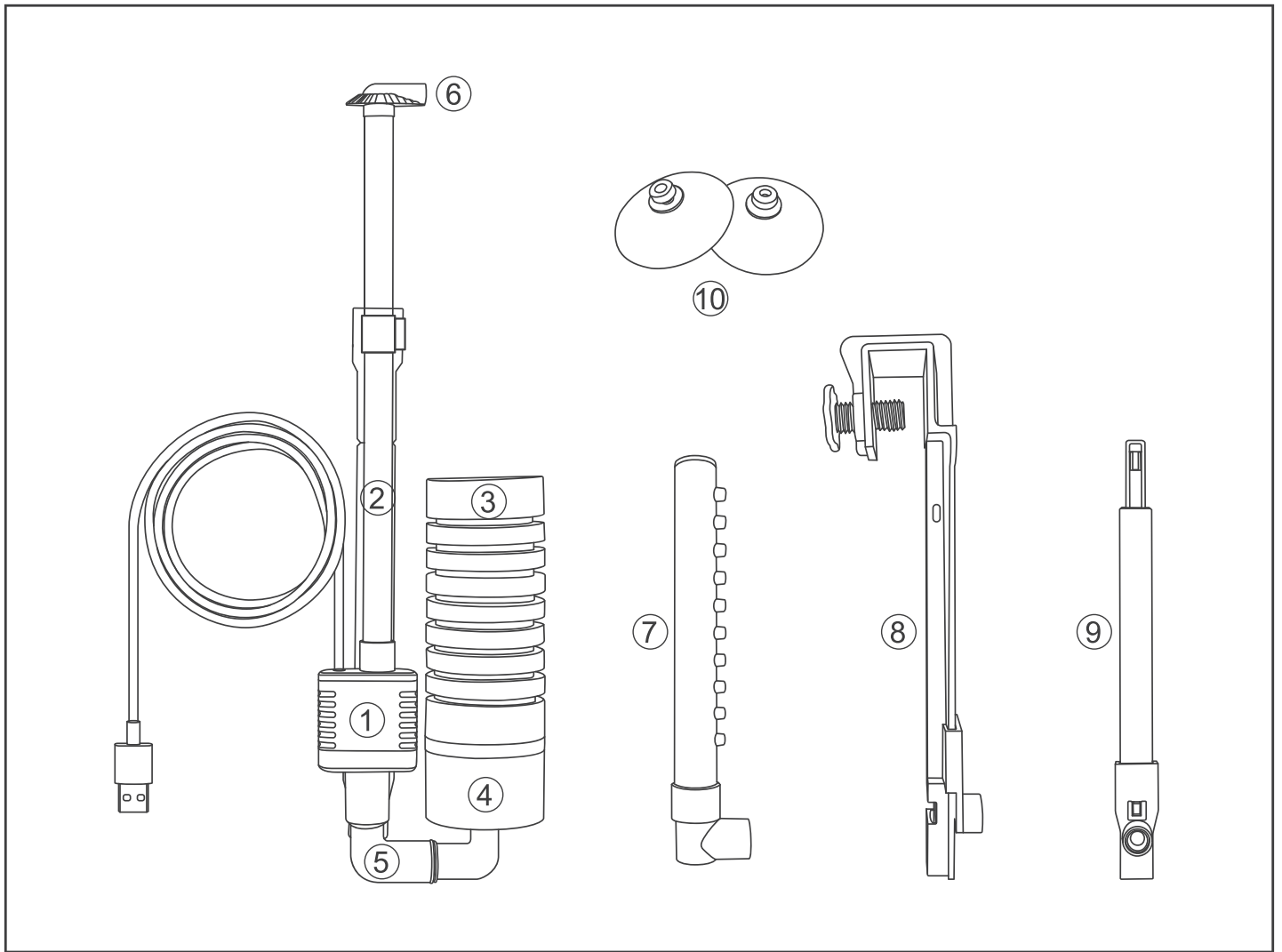
For hands-free operation, the sponge filter can be either suction-cupped or hung on the inside of the tank, offering flexibility in setup.

Ideal for Shrimp, Betta, Tropical Fish, Planted Tanks, and other aquatic environments.

2. PRODUCT SPECIFICATIONS

Model	HG176-S	HG176-M
Sponge Dimension	1.97"D*4.33"H (5*11CM)	2.36"D*5.12"H (6*13CM)
Applicable Tank	< 20 Gal (75L)	< 45 Gal (170L)
Water Pump Power	3 W	5 W
Water Flow	60GPH (227L/H)	80GPH (300L/H)
Cord Length	1.4M (4.5FT)	1.4M (4.5FT)
Retractable Outlet Pipe Length	6.1"~9.25" (15.5~23.5CM)	6.1"~9.25" (15.5~23.5CM)
Capacity of Ceramic Pearls Container	50G	50G

3. PRODUCT DIAGRAM



① DC Water Pump

② Extendable Pipe-2PCS

③ Biochemical Sponge

④ T-connector with Ceramic Ball Container

⑤ T-connector with Water Pump Inlet

⑥ Water Outlet

⑦ Shower Pipe

⑧ Hang-on Plastic Clip

⑨ Extendable Clip Supporter

⑩ Suction Cup

4. PACKING LIST

- 1 x Retractable outlet pipe
- 1 x Single sponge filter with filter media container
- 1 x Ceramic ball(50g/bag)
- 2 x Suction cup
- 1 x Plastic clip
- 1 x Shower pipe
- 1 x Sponge replacement (included within the ceramic ball container)
- 1 x Water outlet
- 1 x Extendable clip supporter
- 1 x User manual

5. METHOD OF APPLICATION

Please follow these steps to install the filter:

1. Take the sponges out of the filter.
2. Pull and rotate the ceramic balls container lid counterclockwise to remove it.
3. Remove the sponge replacements from the ceramic bead container.
4. Open the package of ceramic balls and gently rinse the sponge, ceramic balls and all other parts with clean water from your tank without rubbing them. This will help remove any debris or dust. Then, soak the sponge and ceramic ball in tank water for 10 minutes to ensure they are thoroughly cleaned and ready for use.
5. Place the ceramic ball into the ceramic ball container.
6. Secure the lid tightly to the ceramic ball container and attach the sponge to the filter.
7. Position the filter on the back wall of the aquarium using two suction cups. Ensure the double sponge filter is oriented vertically to prevent the ceramic ball from blocking the pipe. Verify that all connections are secure before plugging in the power cord.

If you prefer to use the hang-on clip, adjust the clip length to fit your needs and securely screw the filter onto the aquarium wall. Note that the plastic clip is designed for rimless tanks, ensuring the filter does not slip down and providing long-lasting use. This innovative approach replaces suction cups to prevent the filter from floating when the cups age or deform.

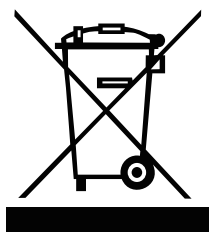
6. WARNING



- a. Avoid using tap water or hot water for cleaning; instead, use water from your tank to maintain the beneficial bacteria balance.
- b. Ensure the sponge filter is positioned vertically to prevent the ceramic ball from blocking the pipe.
- c. Regularly clean the filter with tank water every 2 to 4 weeks to keep it functioning optimally.
- d. For best performance, replace the sponge and ceramic ball every 5 to 6 months to maintain filter efficiency.

7. DISPOSAL

Do not dispose of this product as unsorted municipal waste. Collection of such waste separately for special treatment is necessary. This product has to be disposed of at an authorized place for the recycling of electrical and electronic appliances rather than being disposed of together with the domestic waste. Collecting and recycling waste is a way of saving natural resources. So, please consult with your local seller to make sure the product is disposed of in an environmentally friendly way.



8. CONTACT INFORMATION

E-mail: service@hygger-online.com

Website: www.hygger-online.com

EC	REP
-----------	------------

E-CrossStu GmbH
Mainzer Landstr.69, Frankfurt am Main,
Baden-Württemberg, 60329, Germany
E-CrossStu@web.de
+49 69332967674

UK	REP
-----------	------------

YH Consulting Limited
C/O YH Consulting Limited Office
147, Centurion House, London Road,
Staines-upon-Thames, Surrey,
TW18 4AX, London
H2YHUK@gmail.com
+44 07514-677868



MADE IN CHINA