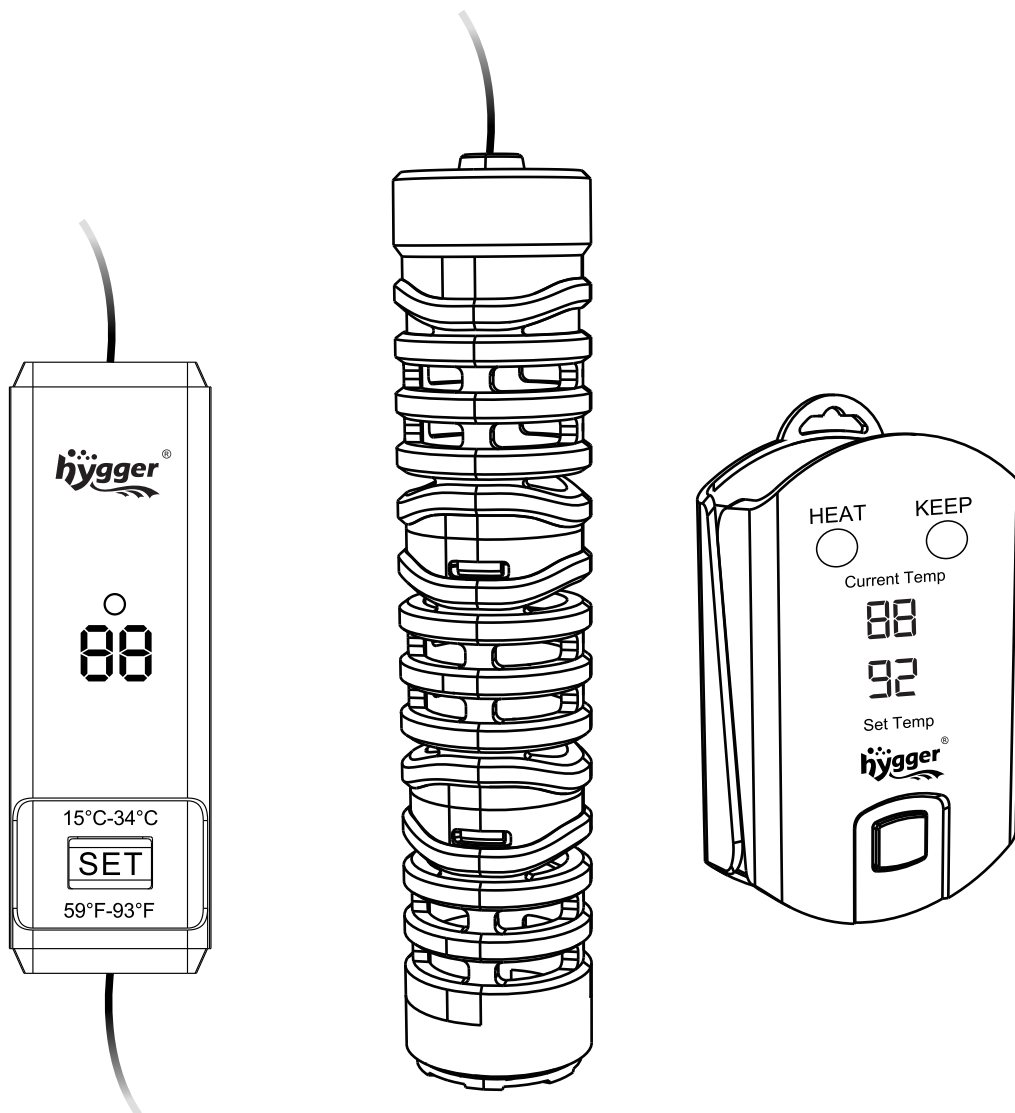




HG163 USER MANUAL

hygger Hollowed-out Aquarium Heater

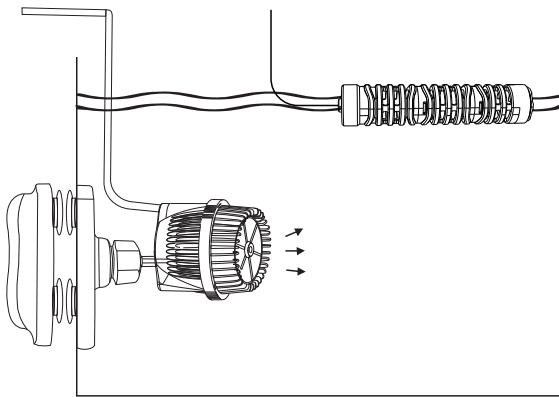
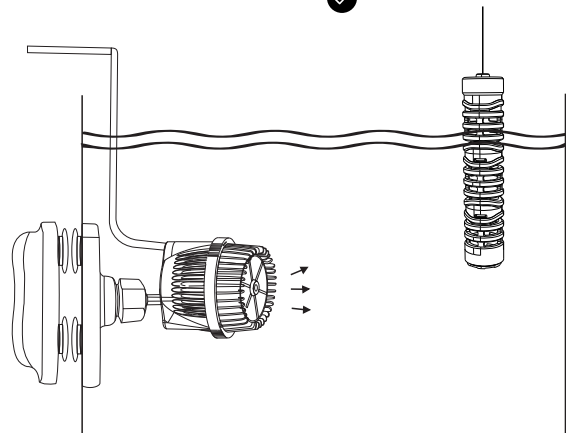
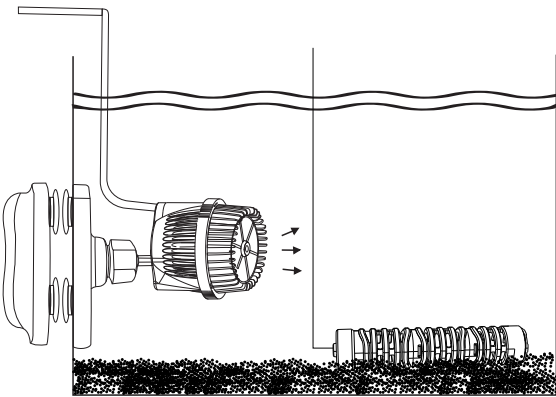
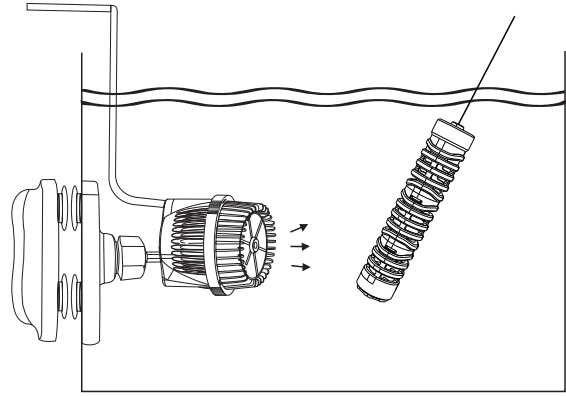
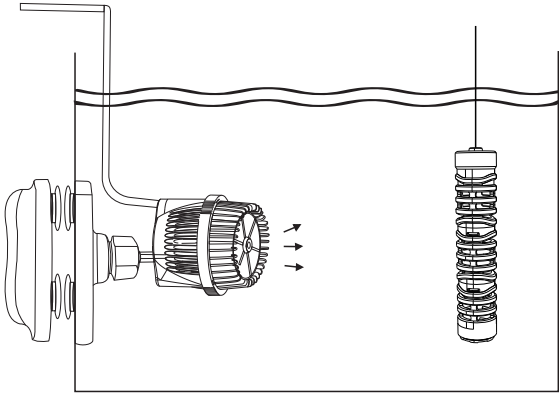


hygger Hollowed-out Aquarium Heater is a perfect heater for your freshwater or saltwater aquariums.

****Reminder: The controller is not waterproof; do not allow it to get wet****

! Attentions:

- 1) The heater must be fully submerged when it is in operation. Unplug the heater and wait 15 minutes before changing the water or removing the heater from the aquarium.
- 2) Our heating rod should be placed where the water flows faster or at the water inlet and tilted about 30-45 degrees for more accurate temperature measurements.
- 3) Please do not bury the heating rod or use it near the sand.



- 4) The controller is not waterproof; please keep it away from water.

1. PRODUCT FEATURES

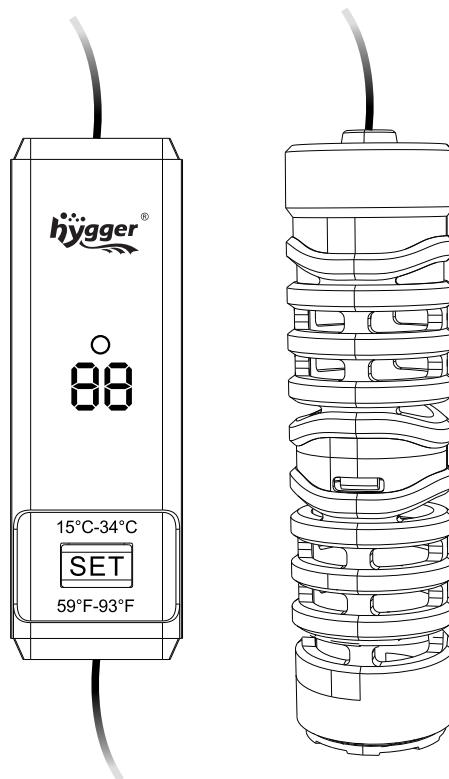
LED Digital Temperature Display & Fahrenheit and Celsius Conversion: A multi-function LED digital display shows the water temperature clearly and accurately. Pressing it for 3s to switch between Celsius and Fahrenheit units.

External Temperature Controller and Out-of-water Protection Function: It is easy to use, and you can set it to the desired temperature. When the controller is out of water, the heater rod stops working and shows an error code.

Memory Function and Shut-off Automatically: The heater retains the previous temperature settings; there is no need to reset the temperature after a power outage. It will stop heating after reaching the set temperature.

Explosion-proof Quartz Heating Tube: Explosion-proof and insulation the quartz tube are safer than traditional coil heaters.

Safety Control Protects against Running Dry: The heater turns off automatically when exposed to air and the LED display shows “E1”. When the temperature reaches or exceeds 95°F (35°C), the LED display shows “HH,” and the heater turns off automatically.



2. PRODUCT PARAMETERS

Model No.	HG163			
Volt/Freq	US Standard: AC 110-120V/60Hz EU/UK/AU Standard: AC 220-240V/50Hz			
Power	25W	50W	100W	150W
Application	1-5Gal (3-19L)	5-10Gal (19-38L)	8-26Gal (37-98L)	15-35Gal (56-132L)
Heating rod dimension	φ1.4*4.7" (φ3.6*12CM)	φ1.4*4.7" (φ3.6*12CM)	φ1.4*4.7" (φ3.6*12CM)	φ1.4*6.7" (φ3.6*17CM)
Cord length	1+4.3Ft (0.3+1.3M)			
Temp accuracy	1°F(1℃)			
Temp tolerance accuracy	±1°F(±1℃)			
Control range	59°F-93°F (15℃-34℃)			
Temp controller dimension	3.94x1.2x0.87"/10x3x2.2CM			

3. TROUBLESHOOTING

Fault Code	Explanation	Solutions
E1	Out of water shut off	Fully submersible into the water
HH	Over 95°F (35°C) temperature	Fill in the cool water or wait for 1 °F lower temperature and the "HH" flash will be canceled

4. INSTRUCTIONS

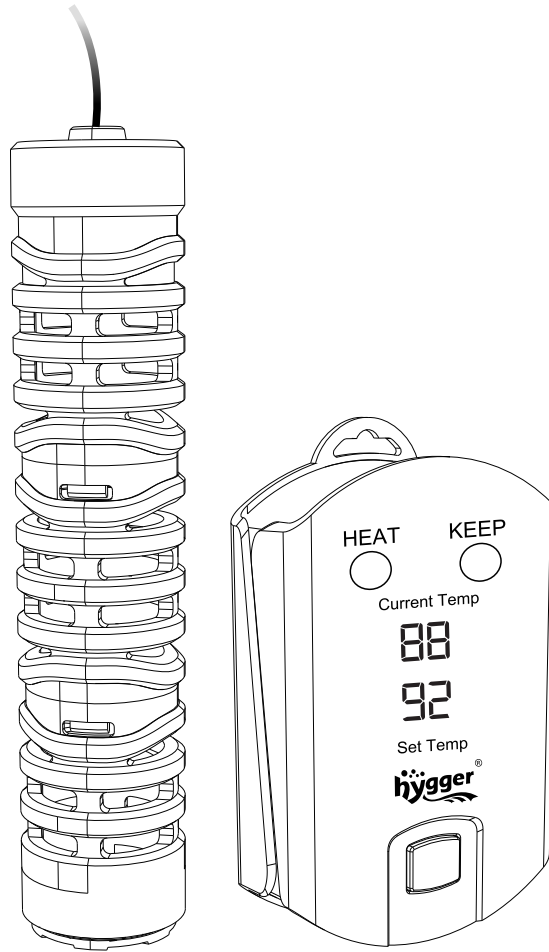
a)The digital started flashing 3 times when it was plugged in. Then, you can adjust it to the desired temperature, the indicator light turned red, and the heater was on.

b)It will turn blue when the heater reaches the set temperature, which means the heating rod is not heating. It will start heating when the temperature is lower than 1°F(1℃).

c)For example, your desired temperature is 90°F (32°C) . Just press the "SET" button until "90" (32°C) is shown on the display screen and wait for the digit "90" to flash three times; then, it will show the current water temperature. Your setting is done. The "SET" button can check your setup record in one clip.

d)Long press 3s to change between Celsius and Fahrenheit.

e)Once the rod is about 4cm(1.58inches) above the water, the controller displays the code "E1".



5. PRODUCT PARAMETERS

Model No.	HG163			
Volt/Freq	US Standard: AC 110-120V/60Hz EU/UK/AU Standard: AC 220-240V/50Hz			
Power	200W	300W	500W	800W
Application	10-55gal (37-208L)	25-80Gal (94-300L)	60-135Gal (220-510L)	80-220Gal (300-830L)
Heating rod dimension	φ1.4*6.7" (φ3.6*17CM)	φ1.4*8.7" (φ3.6*22CM)	φ1.4*10.6" (φ3.6*27CM)	φ1.4*12.6" (φ3.6*32CM)
Cord length	5.9+3.9Ft/1.8+1.2M			
Temp accuracy	1°F(1°C)			
Temp tolerance accuracy	±1°F(±1°C)			
Control range	59°F-93°F (15°C-34°C)			
Temp controller dimension	4.3x2.95x1.2"(11x7.5x3cm)			

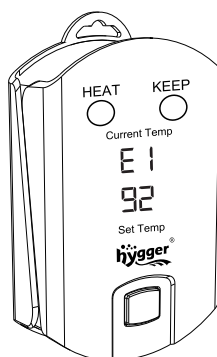
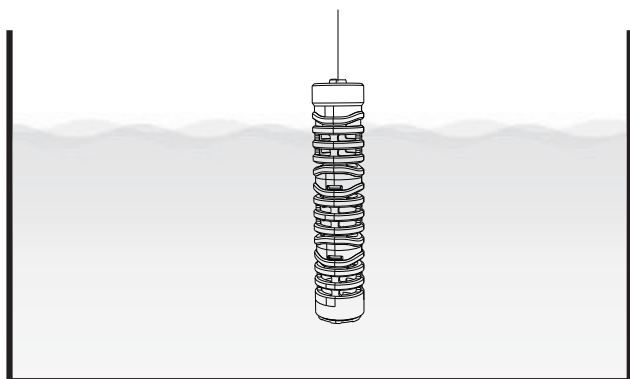
6. INSTRUCTIONS

a. Press the button to set the desired temperature, increasing by 1° with each button. Temperature range: 59-93°F (15-34°C).

b. The indicator light will turn blue when it reaches the set temperature, indicating that the heater is not heating. It will begin to heat when the temperature falls below 1°F (or 1°C).

c. Long press 3s to change between Celsius and Fahrenheit if needed.

d. Once the rod is about 4cm(1.58inches) above the water, the controller will sound an alarm and display the code "E1".



7. TROUBLESHOOTING

Fault Code	Explanation	Solutions
E1	Heating rod is exposed to air	Place the heating rod fully submerged in water
HH	The water temp is higher than 95°F(35°C)	Cool the water to return it to normal temperature
EE	There is a 5° temperature difference detected by two sensors	Discard the heater
H4	Over voltage fault	Discard the heater
H1 H2 E2 E3	Temperature sensor is short-circuit protection	Discard the heater

8. PACKING LIST

- 1x Aquarium heater
- 3x Sucker
- 1x User manual

9. WARNING

To avoid possible electric shock, do not immerse the switch in the water. If the switch falls into the water or becomes wet, do not touch it until you have unplugged it. Basic safety precautions that should be observed are as follows:

1. Read and follow this user manual strictly.

2. **DANGER-** To avoid possible electric shock, special care should be taken since water is employed in the use of aquarium equipment. For each of the following situations, do not attempt to repair yourself. Instead, return the heater to an authorized service facility for maintenance or discard it.

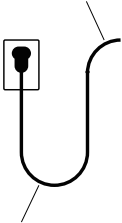
A. If the heater shows any sign of abnormal working or, unplug the power and remove the heater from the water after 15 minutes.

B. Carefully examine the heater after installation. It should not be plugged in if there is water on parts that are not intended to be wet.

C. Do not operate the heater if it has a damaged cord or plug, is malfunctioning, dropped, or damaged in any manner. The power cord of this heater cannot be replaced. If the cord is damaged, the heater should be discarded.

D. To avoid the possibility of the heater plug getting wet, position the aquarium and its stand to one side of a wall mounted outlet to prevent water from dripping onto the outlet or plug. A “drip loop”, shown in the figure below, should be arranged by the user for each cord, which connects the heater to the outlet. If an extension cord is used, the “drip loop” is the part of the cord below the level of the outlet or the connector that prevents water from traveling along the cord and coming in contact with the outlet. If the plug or outlet does get wet, **DO NOT** unplug the cord. Disconnect the fuse to the circuit breaker that supplies power to the heater. Then, unplug and examine for the presence of water in the outlet. If you are not sure, consult a certified electrician.

POWER CORD



DRIP LOOP

3. Close supervision is necessary when the heater is used near children. Daily supervision is necessary when the heater is being used.

4. This heater should not be used by persons (including children) with reduced physical, sensory or mental capabilities, or lack of experience and knowledge, unless they have been given supervision or instruction concerning use of the heater by a person responsible for their safety.

5. To avoid injury, do not touch moving parts or hot parts.

6. Always unplug the heater from the outlet when not in use, before putting on or taking off parts, before maintenance, or placing hands in the water. Never yank the cord to pull plug from outlet. Grasp the plug and pull gently to disconnect.

7. Do not use the heater for other than intended use. The use of attachments not recommended or sold by the appliance manufacturer may cause an unsafe condition and will void the warranty.

8. Do not install or store the heater where it will be exposed to the weather or to temperatures below freezing.

9. Only use in freshwater or saltwater aquariums; do not use the heater in other liquids.

10. Make sure the heater is securely installed before operating it.

11. Read and observe all the important notices on the heater.

12. If an extension cord is necessary, a cord with a proper rating should be used. A cord rated for less amperes or watts than the heater rating may overheat. Care should be taken to arrange the cord so that it will not be tripped over or pulled.

13. The heater is intended FOR HOUSEHOLD USE ONLY.

14. SAVE THIS USER MANUAL.

10. ATTENTION

- ✓ Please check all the items to inspect condition when unboxing the package.
- ✓ Please read and follow all the instructions carefully.
- ✓ Please choose a heater rated for your aquarium.
- ✓ Please place the heating rod in water flow and don't bury it in substrate.
- ✓ Please place the heating rod fully submerged in water when it's on duty. Unplug the heater and wait for 15 minutes before changing water or removing the heater.
- ✓ Please keep in mind that the heater can be turned off automatically when exposed to air, but it is a last resort and should be avoided.
- ✓ After using of the heater, calcium carbonate contained in algae or moss may clump and adhere to the heating rod.
- ✓ If dirt adheres to the heating rod, use a sponge or cloth and water to wipe it. Do not use alcohol or other chemicals as this may damage the heater and harm fish or livestock.
- ✓ When used for a prolonged period with dirt adhered to the heating element, be aware that it may cause failure due to the inability to control the temperature correctly.

11. DISPOSAL

Do not dispose this product as unsorted municipal waste. This product must not be disposed together with the domestic waste it must be disposed of at an authorized place for recycling of electrical and electronic appliances. By collecting and recycling waste, you help save natural resources, and make sure the product is disposed in an environmentally friendly way.



12. CONTACT INFORMATION

E-mail: service@hygger-online.com

Website: www.hygger-online.com