

## 5. INSTRUCTION

- A. Connect the adapter to the LED light and plug into power.
- B. Press " I " button to switch to moonlight mode (blue light).
- C. Press " II " button to switch to daylight mode (white & blue light).

## 6. WARRANTY

- 1. 1-year free warranty.
- 2. 1-month free return.
- 3. Free replacement for 3 months.

## 7. CONTACT INFORMATION:

Website: [www.hygger-online.com](http://www.hygger-online.com)

E-mail: [Mago@hygger-online.com](mailto:Mago@hygger-online.com)

24H Customer service Facebook QR code:



---

Thank you for choosing Hygger, making aquarium keeping easier one product at a time.

If you have any problems or suggestions for the aquarium clip led light, please contact us by email before leaving feedback or opening a case, it will be the fastest way to solve your problem.

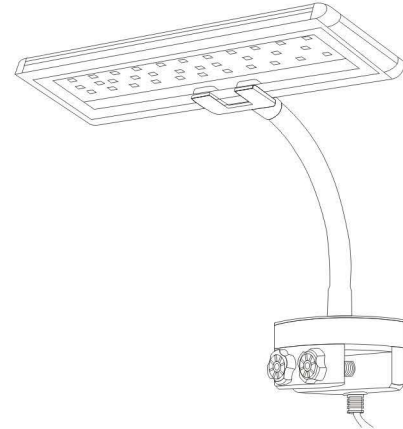
If you are satisfied with the aquarium clip led light, please leave positive feedback for our product, in order to let more customers enjoy it.

Thanks again!



# HG-801 SERIES USER MANUAL

## HYGGER AQUARIUM CLIP LED LIGHT



Hygger aquarium clip led light is designed to provide efficient lighting for your fish and other aquariums.

# HG-801 SERIES USER MANUAL

## HYGGER AQUARIUM CLIP LED LIGHT

### 1. PRODUCT FEATURES

#### Premium and safe material:

The aluminium alloy shell ensures excellent heat dissipation, while acrylic casing is splash resistant and safe to use.

#### High quality and bright 5730 LEDs:

Produce an amazing shimmer effect to your aquarium and emit enough bright light for a healthy and growth stimulating environment for your fish and other aquariums.

#### Energy saving and long lasting:

High quality efficient, durable, and bright 5730 LEDs.

#### Adjustable light modes:

Two lighting modes, white and blue mode for daylight; and blue mode for nightlight.

#### 360° swivel telescopic rod:

The unique adjustable gooseneck clamp design can be positioned to any angle you want.

#### Easy to setup and use:

The width of clip is 0.98 inch, so the light fits for most rimmed and rimless fish tank.

#### Suitable for freshwater , marine aquariums and terrariums

### 2. PRODUCT SPECIFICATIONS

| Model                 | HG-801-30           | HG-801-40           |
|-----------------------|---------------------|---------------------|
| Adapter power input   | 100~240VAC, 50/60Hz | 100~240VAC, 50/60Hz |
| Output                | 12V, 2A, DC         | 12V, 2A, DC         |
| LEDQuantity (PCS)     | 30                  | 45                  |
| Rated Power (W)       | 13                  | 21                  |
| Kelvin (K)            | 9000~11000          | 9000~11000          |
| Lumen (LM)            | 1330                | 1998                |
| Cable length (FEET)   | 4 + 4               | 4 + 4               |
| Applicable Tank (Gal) | 3.5~9               | 10~20               |

### 3. PACKAGE INCLUDED:

- 1x Aquarium Clip Led Light
- 1x Power Adapter
- 1x User Manual

**4. WARNING:** To avoid possible electrical shock, keep the power adapter and LED light away from water and moisture, because they are not waterproof.  
If the light falls into the water, or otherwise becomes wet, do not touch it until unplugged. Basic safety precautions should be observed including the following:

1. Read and follow this user manual strictly.
2. DANGER-To avoid possible electric shock, special care should be taken. For each of the following situations, do not attempt to repair yourself; return the light to an authorized service facility for service or discard the light.
  - A. If the light falls into the water, do not touch it. First unplug it, then retrieve it. If electrical components of the light get wet, unplug the light immediately.
  - B. Carefully examine the light after installation. It should not be plugged in if there is water on parts not intended to be wet.
  - C. Do not operate the light if it has a damaged cord or plug, if it is malfunctioning or if it is dropped or damaged in any manner. The power cord of this light cannot be replaced, if the cord is damaged, the light should be discarded.
  - D. To avoid the possibility of the light plug getting wet, position aquarium stand and tank to one side of a wall mounted receptacle to prevent water from dripping onto the receptacle or plug. A "drip loop", shown in the figure below, should be arranged by the user for each cord connecting the light to the receptacle. The "drip loop" is the part of the cord below the level of the receptacle, or the connector. If an extension cord is used, to prevent water traveling along the cord and coming in contact with the receptacle. If the plug or receptacle does get wet, DO NOT unplug the cord. Disconnect the fuse to the circuit breaker that supplies power to the light. Then unplug and examine for the presence of water in the receptacle.
3. Close supervision is necessary when the light is used near children.
4. To avoid injury, do not contact hot parts.
5. Make sure the light is securely installed before operating it.
6. Read and observe all the important notices on the light.
7. If an extension cord is necessary, a cord with a proper rating should be used. A cord rated for less amperes or watts than the appliance rating may overheat. Care should be taken to arrange the cord so that it will not be tripped over or pulled.
8. The light is intended FOR HOUSEHOLD USE ONLY.
9. SAVE THIS USER MANUAL.

