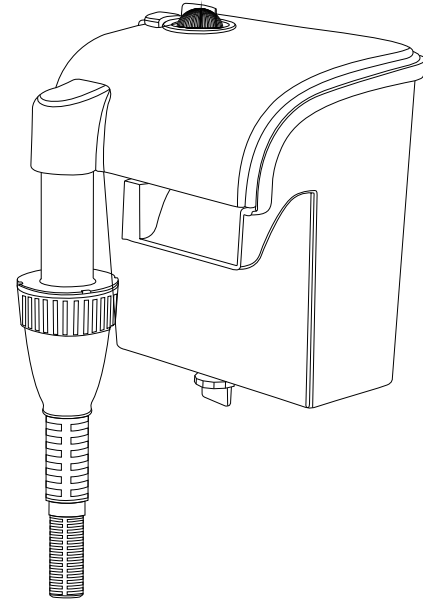




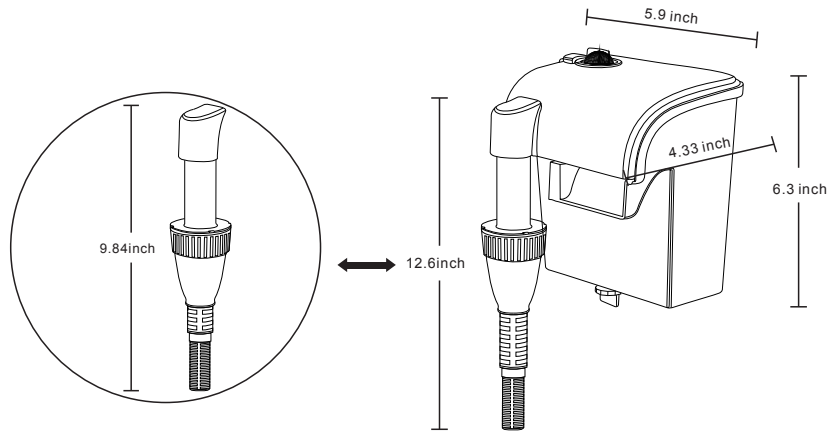
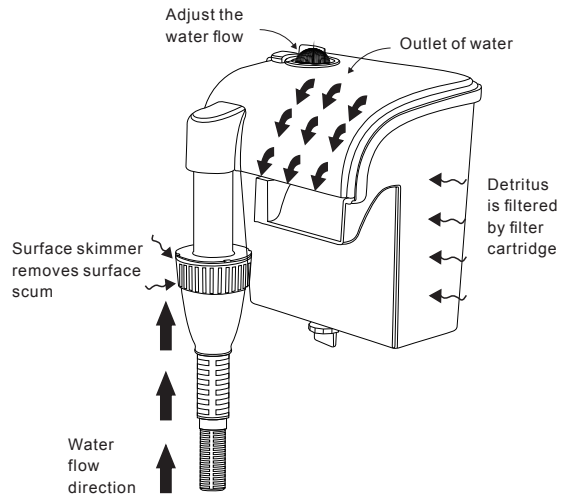
HG-972 USER MANUAL

Hygger Aquarium Filter

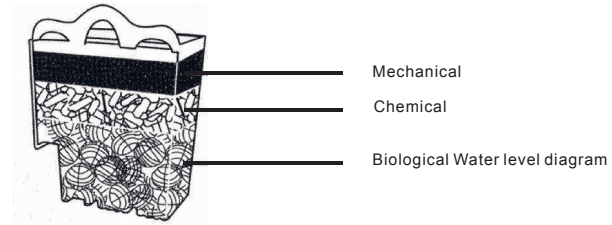


Hygger filtration has a special extendable surface skimmer that can clean the oily surface film on the water's surface. The water output is freely adjustable. The filtration system uses a bio-sponge, activated carbon, and biological media to cultivate nitrobacteria. If powered off, the filter will restart automatically once power returns, making it ideal for aquariums.

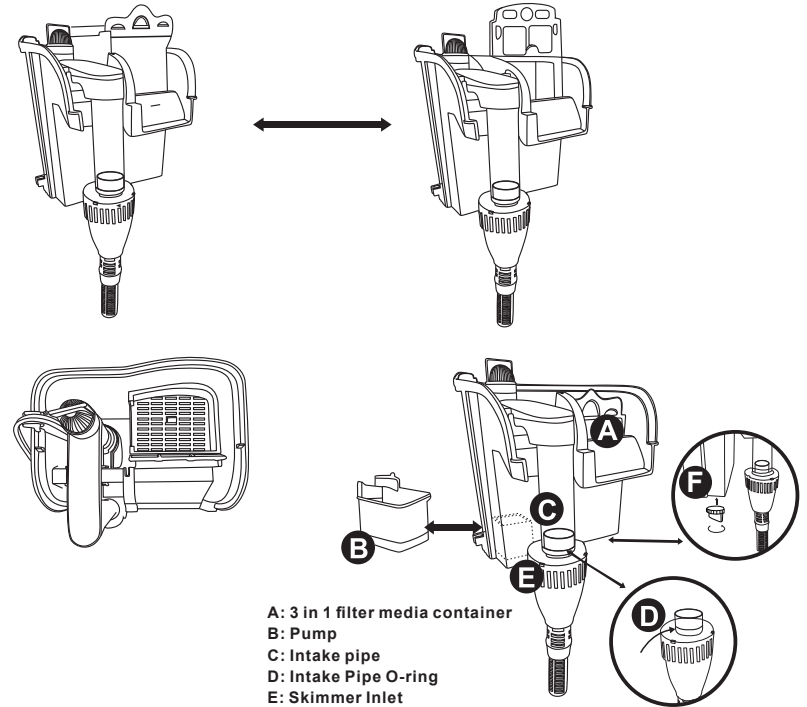
1.PRINCIPLE



From 9.84 inch to 12.6 inch



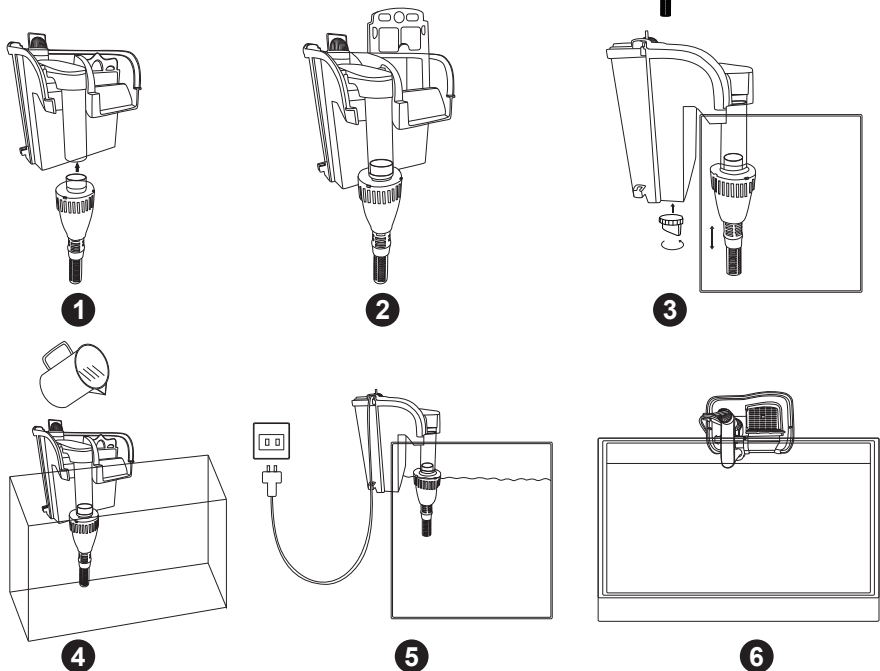
3 in 1 filte media container



The minimum water level is between 3.54 to 4.72 inches.

The surface skimmer is adjustable. The minimum water level must be higher than the surface skimmer; when using the surface skimmer, it will float on the water to adjust to the water level.

2.METHOD OF APPLICATION:



1. Connect the surface skimmer to the intake pipe and fix it tightly.
- 2.Ensure the filter media is firmly placed in the filter housing. The first filter layer is the bio-sponge, the second is activated carbon and the last is bio-balls.
- 3.Hang the installed filter on the aquarium, and rotate the adjustment knob so as to keep the hang-on filter parallel. Adjust the intake pipe to the correct distance.
- 4.Fill the filter chamber with water.
- 5.Power on and adjust the surface skimmer; the minimum water level must be higher than the surface skimmer when using then the surface skimmer, which will float on the water (If the surface skimmer doesn't float, you must adjust the water level.
- 6.Adjust the water flow appropriately.

3.TROUBLE SHOOTING

Fault	Possible cause	Solutions
No water flow	Power off Something in rotor make it cannot run	Check that the filter is plugged in Clean the rotor
Abnormal sound	Water inlet tube installed wrong The water level is below the bracket	Reinstall the surface skimmer Add water into the aquarium
Flow decrease	Water inlet tube installed wrong Filter media is full	Reinstall the surface skimmer Replace the filter media

4.PRODUCT PARAMETER

Voltage	AC 110-120V / 60 Hz
Power	12W
Q.Max	158GPH
Sound	<40 dB
Cord length	5.9FT
Application	5-30 Gal
Dimension	5.9"×4.33"×6.3"

5. ATTENTIONS:

- ✓ Please read this manual carefully before using and follow strictly in accordance with the manual.
- ✓ Please fill the filter chamber with water before using, the pump cannot work without water.
- ✓ Clean the filter with tank water every 1-2 weeks. Don't use tap water, water too hot to clean the filter.
- ✓ Please unplug the power before maintenance.
- ✓ Please mind that the temperature range for the filter is 33.8~95°F.

6. PACKAGE INCLUDES:

- 1×Aquarium Filter
- 1×User manual

7.WARNING:

DANGER: To avoid possible electric shock, special care should be taken in the use of aquarium equipment. For each of the following situations, do not attempt repairs yourself. Return the appliance to an authorized service facility for service or discard the appliance.

1.Read and follow this user manual strictly.

- A. If the appliance falls into the water, DON'T reach for it! First unplug it and then retrieve it. If electrical components of the appliance get wet, unplug the appliance immediately.
- B. If the appliance shows any sign of abnormal water leakage, immediately unplug from the power source.
- C. Carefully examine the appliance after installation. It should not be plugged in if there is water on parts not intended to be wet.
- D. Do not operate any appliance if it has a damaged cord or plug, or if it is malfunctioning or if it is dropped or damaged in any manner.

E. To avoid the possibility of the appliance, plug or power outlet getting wet, position aquarium stand and tank to one side of a wall mounted outlet to prevent water from dripping onto the outlet or plug. A "drip loop", shown in the figure at right, should be arranged by the user for each cord connecting an aquarium appliance to a outlet. The "drip loop", is that part of the cord below the level of the outlet or the connector, if an extension cord is used, to prevent water from traveling along the cord and coming in contact with the outlet. If the plug or outlet does get wet, DON'T unplug the cord. Disconnect the fuse or circuit breaker that supplies power to the appliance. Then unplug a examine for presence of water in the outlet.

POWER CORD



DRIP LOOP

2. Close supervision is necessary when any appliance is used by or near children.
3. To avoid injury, do not contact moving parts or hot parts.
4. Always unplug an appliance from an outlet when not in use, before putting on or taking off parts, and before cleaning. Never yank cord to pull plug from outlet. Grasp the plug and pull gently to disconnect.
5. Do not use the appliance for other than intended use. The use of attachments not recommended or sold by the appliance manufacturer may cause an unsafe condition and will void the warranty.
6. Do not install or store the appliance where it will be exposed to the weather or to temperatures below freezing.
7. Make sure an appliance mounted on a tank is securely installed before operating it.
8. Read and observe all the important notices on the appliance.
9. If an extension cord is necessary, a cord with a proper rating should be used. A cord rated for less amperes or watts than the appliance rating may overheat. Care should be taken to arrange the cord so that it will not be tripped over or pulled.
10. This appliance has a polarized plug (one blade is wider than the other). As a safety feature, this plug will fit in a polarized outlet only one way. If the plug does not fit fully in the outlet, reverse the plug. If it still does not fit, contact a qualified electrician. Never use an extension cord unless plug can be fully inserted. Do not attempt to defeat this safety feature.
11. The filter is intended FOR HOUSEHOLD USE ONLY.
12. SAVE THIS USER MANUAL.

8. WARRANTY:

1. 1-year free warranty.
2. 1-month free return.
3. Free replacement for 3 months.

9. DISPOSAL

Do not dispose this product as unsorted municipal waste. Collection of such waste separately for special treatment is necessary. This product must not be disposed together with the domestic waste. This product has to be disposed at an authorized place for recycling of electrical and electronic appliances. By collecting and recycling waste, you help save natural resources, and make sure the product is disposed in an environmental friendly way.



10. Contact information:

Website: www.hygger-online.com

E-mail: Mago@hygger-online.com

Hotline: 888-666-0582 (Free call in US)

Thank you for choosing Hygger, making aquarium keeping easier one product at a time.

If you have any problems or suggestions for the filter, please contact us by email before leaving feedback or opening a case, it will be the fastest way to solve your problem.

If you are satisfied with the filter, please leave positive feedback for our product, in order to let more customers enjoy it.

Thanks again!