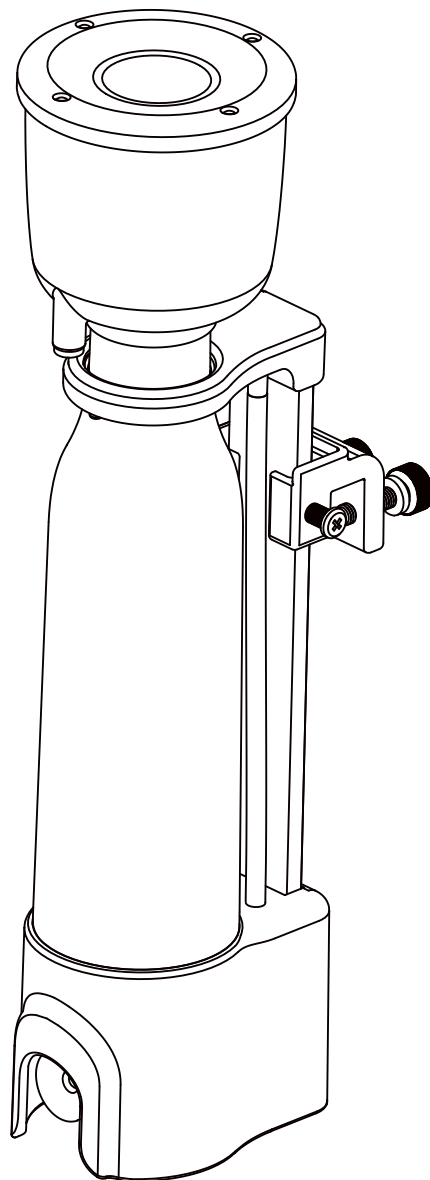




HG048 USER MANUAL

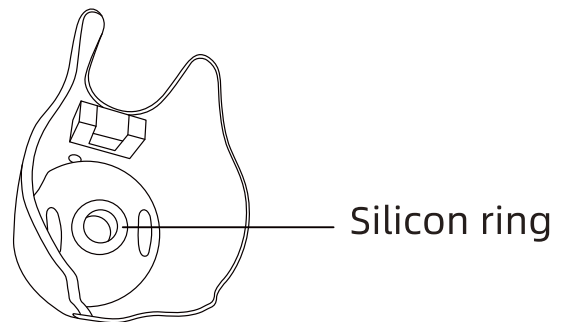
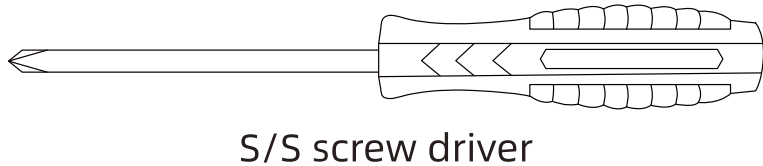
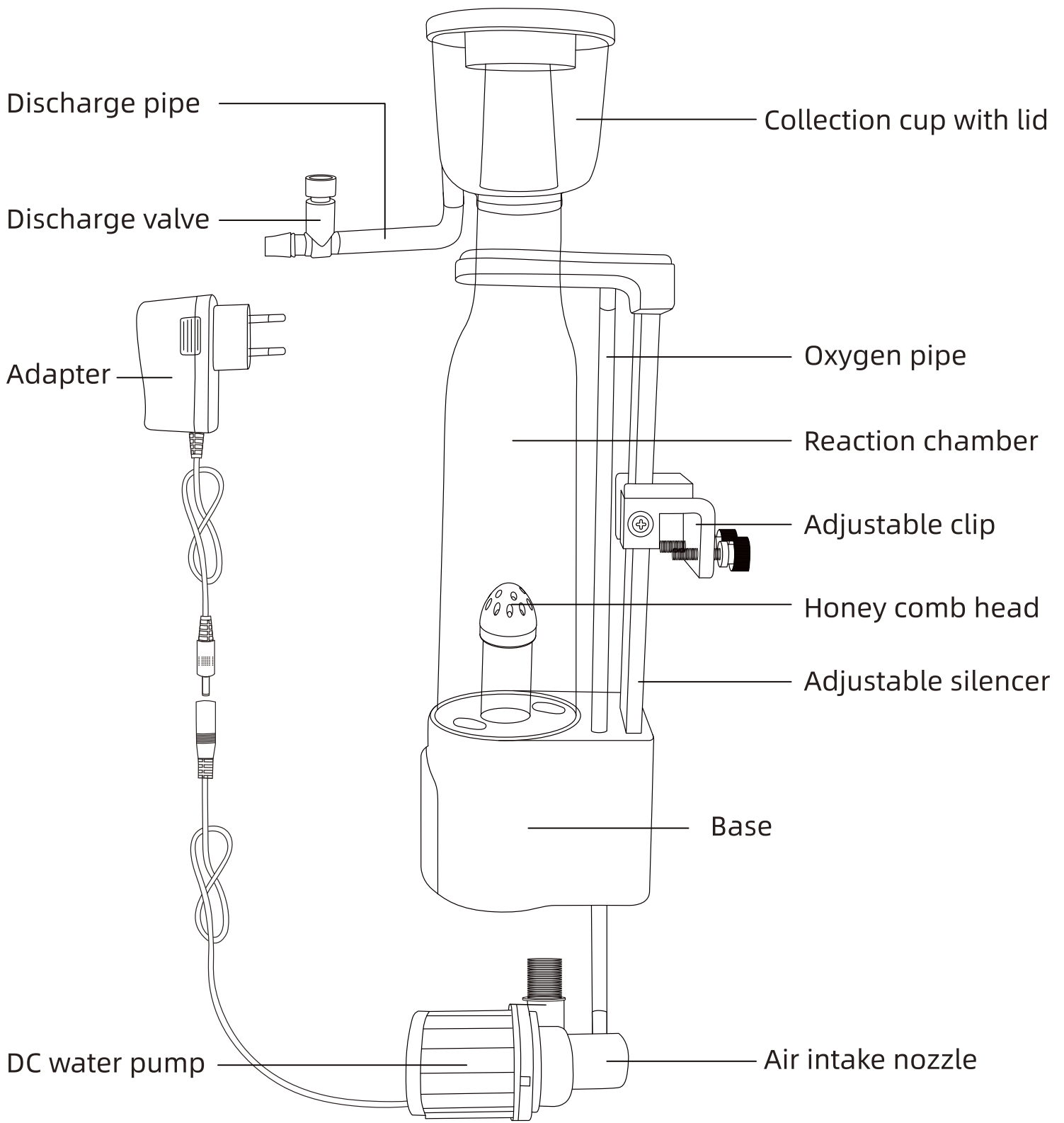
hýgger internal mini protein skimmer



The ideal protein skimmer for nano tanks can mount inside the aquarium, and is small enough to fit in the overflow or the filtration compartments. The internal mini skimmer measures only 3.74" *2.17" *14.37" , which can provide outstanding filtration in saltwater aquariums up to 57 gallons. This low profile and compact protein skimmer is powered by a 4 watt DC intelligent frequency pump with needle-wheel impeller for maximum air-to-water contact and energy efficiency, delivering very effective organic waste removal. Water flow can be adjusted by rotating the collection cup.

The adjustable clip is for convenient installation and operation, and it can fit in rimless aquariums with glass thickness of 5/8 inch (15mm).

1. PRODUCT DIAGRAM



2. INSTALLATION INSTRUCTIONS

Step1--->(FIGURE 1)

- Open the package, take out the protein skimmer and the water pump;
- Connect the air intake nozzle with the pump outlet nozzle and adjust it for about 30°;
- Let the air pipe go through the base/honey comb head;
- Use your full strength to push the water pump into the silicone ring for seamless connection.

① The production batch in the bottom is in the right position.

② A 30° corner between the adjust air intake nozzle and the pump outlet nozzle.

③ Press the water outlet into the silicon ring with your full strength.

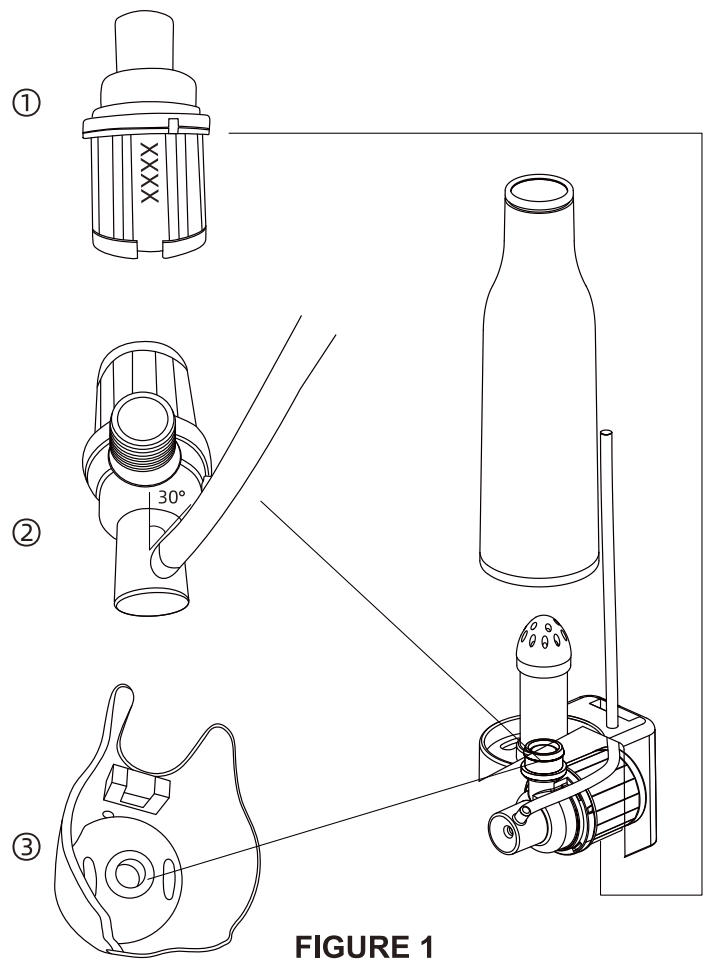


FIGURE 1

Step2--->(FIGURE 2)

- Take out the adjustable silencer, remove the screw with the screw driver,
- Install the adjustable clip on the silencer and mount it on the base;
- Insert the oxygen pipe into the silencer and the base.

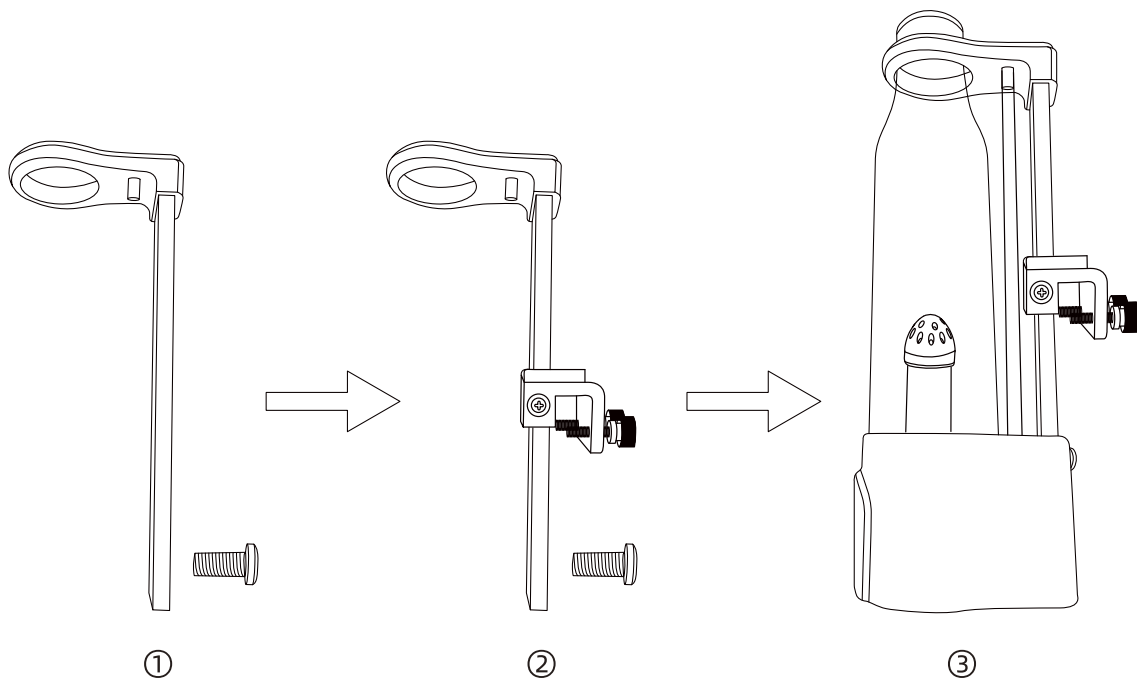


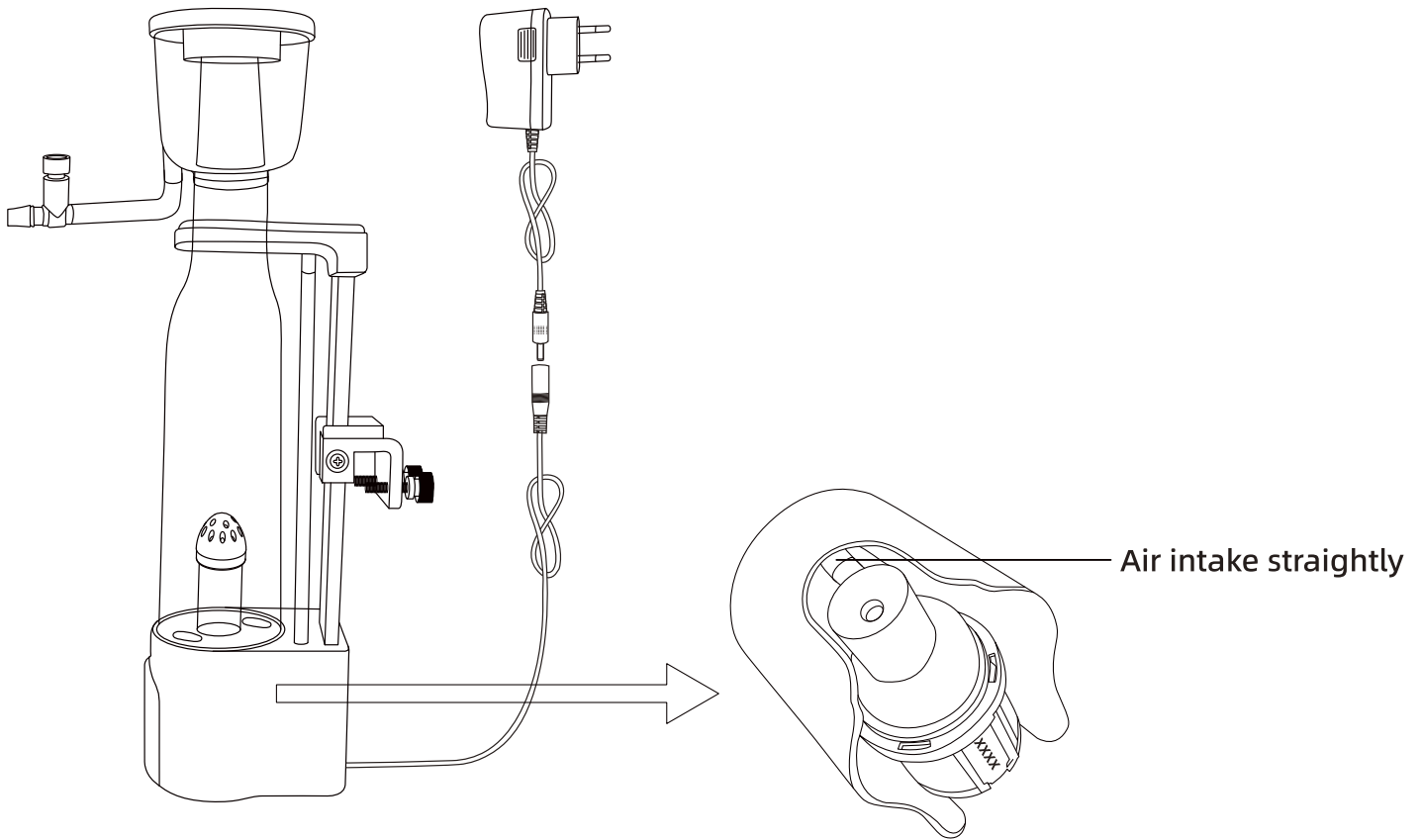
FIGURE 2

Step3--->(Figure 3)

- Install and tighten the collection cup flatly on the reaction chamber;
- Connect the discharge pipe and valve;
- Plug the adapter and use it directly.

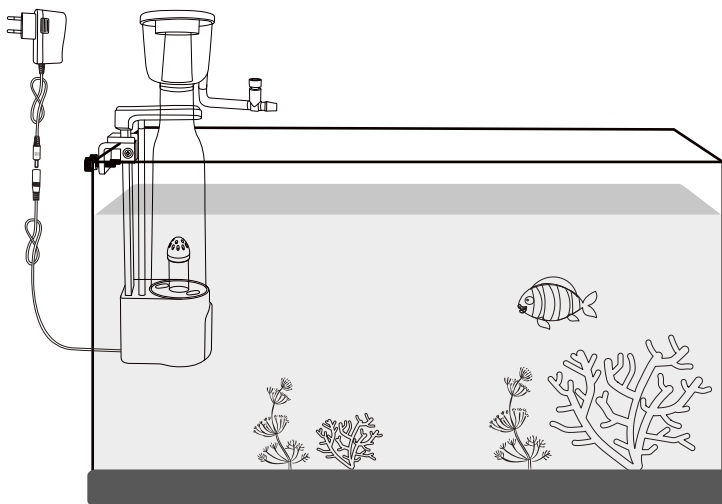
Reminder: The oxygen pipe can be cut depends on your needs.

Please make sure the air intake is slight straightly in order to get enough air-to-water contact.

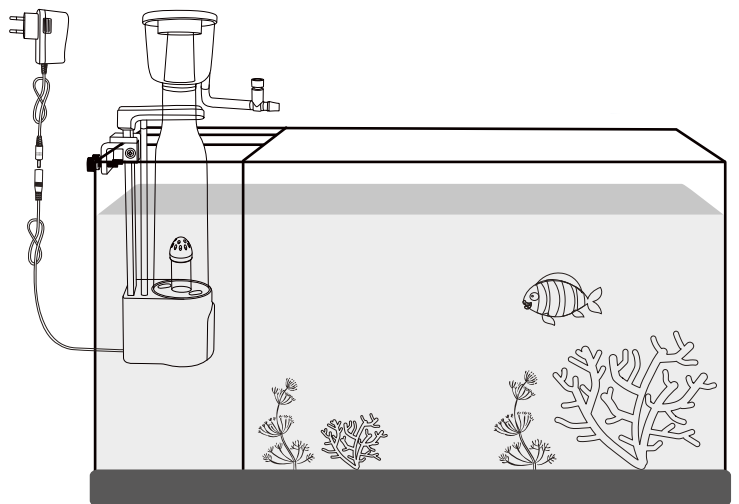


Step4--->(FIGURE 4) LOCATION USE

Mount it inside the aquarium or fit it in the overflow or the filtration compartments.

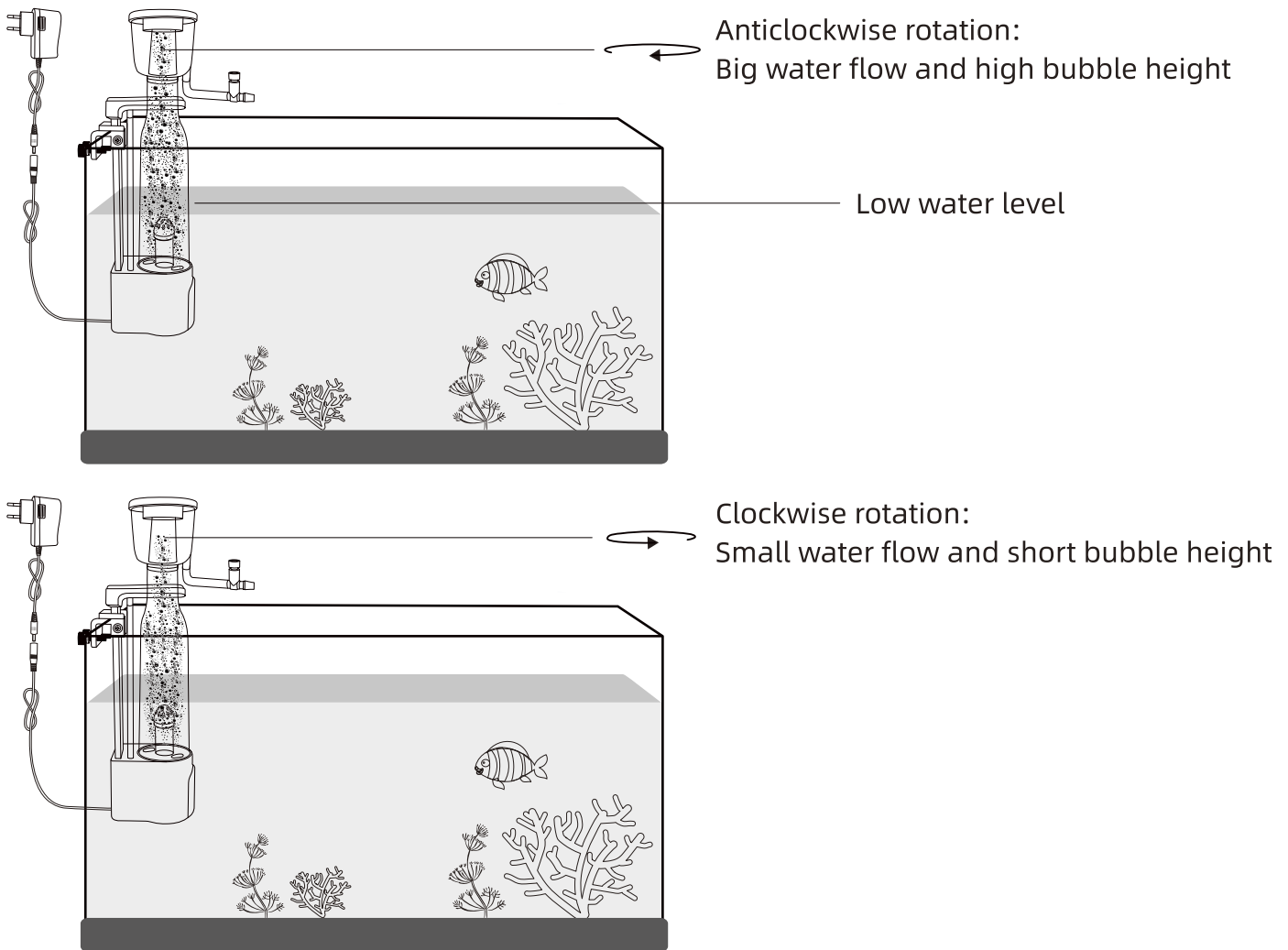


LOCATION 1



LOCATION 2

When the location is set done, rotating the collection cup clockwise can adjust the water flow from small to big.



Please use the protein skimmer at the specified water level.

Important attentions: In a newly installed marine tank, it's normal to find some bubbles at the base of the protein skimmer. After about 2 weeks, the bubbles will gradually decrease since the biological system of the marine take is stabilized.

3. ROUTINE MAINTENANCE

Collection cup: Clean it at least once a week according to the load of the organic matter.

Regular cleaning is beneficial to improve the separation efficiency of the water and vapor.

Reaction chamber: Disassemble the reaction chamber. It is recommended to clean it every 6 months.

Water pump: Remove the water pump. It is recommended to clean it every 4 months. Both white vinegar and water can be used to clean the residual dirt.

Note: The parts of the pump to be cleaned include the air filling part, the water cover, the water bladed of the needle wheel, the rotor, the ceramic shafts, the rubber sleeve, etc.

4. ATTENTIONS

1. It is strictly forbidden to let the water pump run dry, otherwise it will be easily overheated and scorched.

2. It is strictly forbidden to touch the plug with wet fingers.

3. It is strictly forbidden to clean the skimmer with any chemical solution containing alcohol or ammonia, otherwise it will easily cause cracks in the acrylic.

5. DISPOSAL

Do not dispose of this product as unsorted municipal waste. Collection of such waste separately for special treatment is necessary. This product has to be disposed of at an authorized place for the recycling of electrical and electronic appliances rather than being disposed of together with domestic waste. Collecting and recycling waste is a way of saving natural resources. So, please consult with your local seller to make sure the product is disposed of in an environmentally friendly way.

6. ONE YEAR LIMITED WARRANTY

This product MUST be purchased from an authorized hygger reseller. Visit our website for a list of authorized resellers. hygger warrants this product against defects in materials and workmanship for ONE(1) YEAR from the date of the original retail purchase and is non-transferable.

Warranty on all products, including aquariums. But it is limited to the replacement of the products and does not cover fish loss, personal injury, property loss or direct, incidental or consequential damage caused by using this product.

Note: hygger One-year Limited Warranty does not cover damage caused by the followings: improper installation, saltwater corrosion, electrical surges or modifications.

If you discover a defect, please contact hygger, who will, at its option, repair or replace the product at no charge, provided that you return it during the warranty period. A copy of the bill of sale is required as proof of the original purchase date in the event of the product needing repairs within the warranty period. hygger does not warrant any products that are not hygger' s.

This warranty does not apply if the product has been damaged by accident, abuse, misuse or misapplication, or modified without the written permission of hygger.

7. PACKING LIST

- 1x Reaction chamber
- 1x DC water pump
- 1x Collection cup with lid
- 1x Accessories bag (include valve/discharge pipe/oxygen pipe)
- 1x Screw driver
- 1x Adapter
- 1x User manual

8. CONTACT INFORMATION

Company name: Shenzhen Mago Trading Co., Ltd

Add: Bantian Group Business Central, Longgang District, Shenzhen City, Guangdong Province, China

Website: www.hygger-online.com

E-mail: Mago@hygger-online.com

If you have any problem, please provide your amazon order id (amazon invoice) and shipping address by E-mail: mago@hygger-online.com.