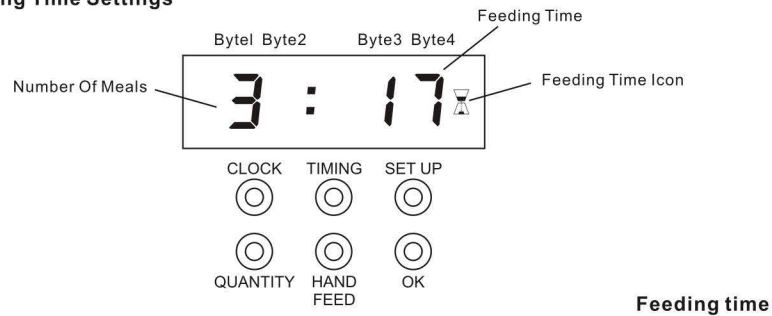


7.2 Feeding Time Settings

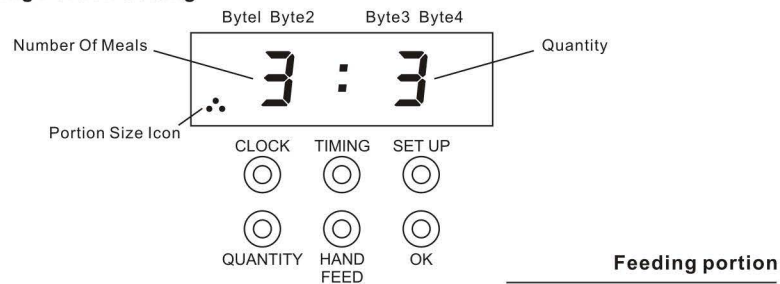


Press "TIMING" to view the feeding times

Directions to Set Feeding Times:

- ① Press "TIMING" button, and then press "SET UP" button to enter feeding time setting page
 - ② Press "TIMING" button to program the first meal. "-" indicates no feeding. Once it finish, then press "SET UP" button to set the next feed time
 - ③ After finish the setting, press "OK" save it and back to the main interface.
- **Feeding times can only be programmed to hour, not minute**

7.3 Feeding Portion Setting



Press "QUANTITY" to view the feeding portion

Size setting for each meal:

- ① Press "QUANTITY", and then press "SET UP" to enter the size setting for each meal;
- ② Press "QUANTITY" to adjust feeding quantity, up to maximum of 9 settings ("-" means zero feeding quantity). Press "SET UP" button again to proceed to the next feeding portion setting;
- ③ After finish the setting, press "OK" save it and back to the main interface.

Note: Each portion is automatically set to feed for 15 seconds. For example, two portions will feed for 30 seconds, three portions for 45 seconds and so on.

7.4 Manual Feeding

Press "HAND FEED" for anytime feeding you like.

7.5 Automatic Feeding Pause Function

Press "OK" button to pause automatic feeding when its running on automatic feeding. You can see the indicator light flashing. Press "OK" button again to cancel pause. Programmed one meal each day, you can see the interface displays "---" and lasts for one hour after feeding, indicates that the feeding today is finished.

7.6 Troubleshooting

Erro

Error code shows up, you should unplug the feeder and take out the screw slot and restart.

8.WARRANTY

1. 1-year warranty.
2. 1-month free return.
3. Free replacement for 3 months.

9.Contact information:

Brand owner: Shenzhen Mago Trading Co., Ltd

Add: Bantian Group Business Central, Longgang District, Shenzhen City, Guangdong Province, China

Hotline: 888-666-0582 (Free call in US)

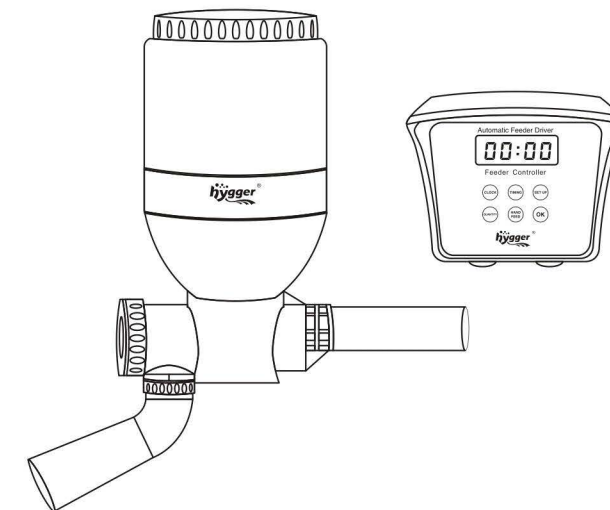
E-mail: mago@hygger-online.com

Website: <http://www.hygger-online.com>

Facebook: <https://www.facebook.com/shenzhenmago> Or @shenzhenmago

hygger®

Automatic Feeder User Manual HG-967



Hygger automatic fish feeder is the ideal solution for feeding pond fish while you are away. Please read this manual carefully before use.

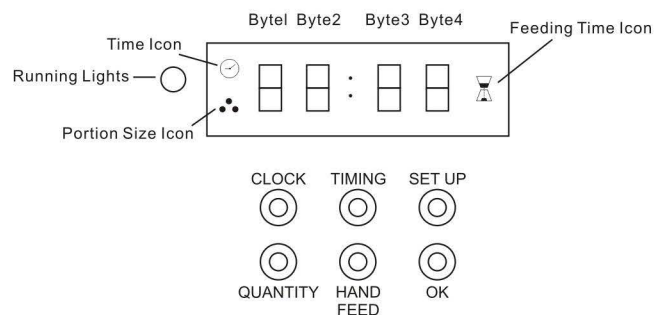
Attention:

- I: Do not put flake or power food into the container.
- II: It is better to clean the container once empty.
- III: There are two screw slots to correspond with feeding demand. Empty food container before replace it.
- IV: Do not put your hand into the feed cylinder when it's running.
- V: Do not mounted on earth floor.
- VI: It is weather-proof, however, do not drops or immerse the feeder in water.

1. Product feature

- Easy to read LCD display with clock
- Up to 6 feeding times per day
- Programmable feeding portion up to 9, each portion 15 seconds
- Manual button allows for instant feeding
- Fish container can be loaded up to 5.5L, 2.3kg fish food
- Two different size feeding screw slots according to feeding demand
- Programmable feeding time and feeding portions
- Waterproof design for outdoor use
- Easy to install and can be fixed on the wooden stone floor or ceramic tile

2. Control Panel



3. Factory setting up feeding time

Number of meals	Feeding time	Volume
1	7:00	3
2	12:00	3
3	17:00	3
4	-	-
5	-	-
6	-	-

" - " means feeding time is not programmed ;
Each feeding time is 15 seconds.

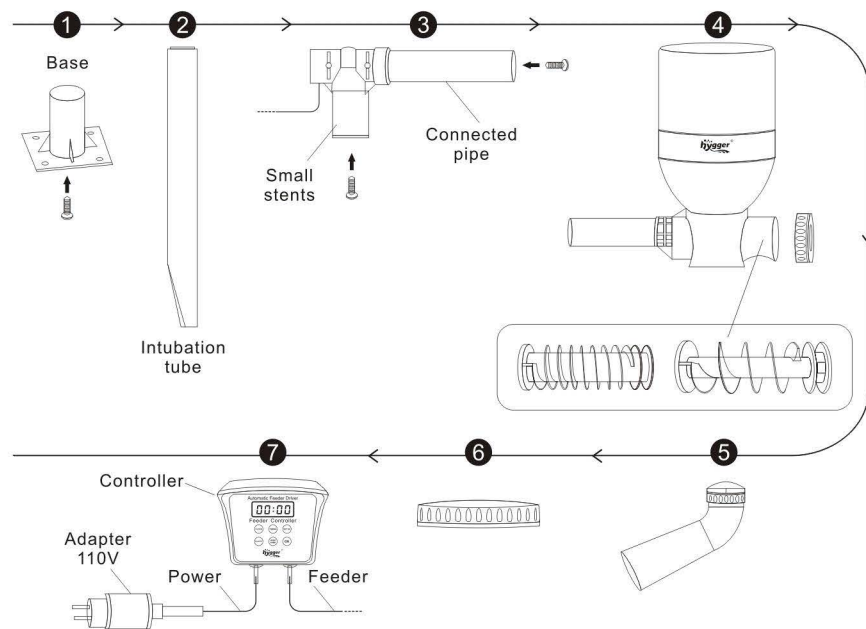
4. Memory Function

- ① Memory function enable to restore previous setting
- ② LED Indicator Light: , the indicator light turns on blue when the device is in manual or automatic feeding. The indicator light keeps flashing when it stops.

5. Installation and accessories

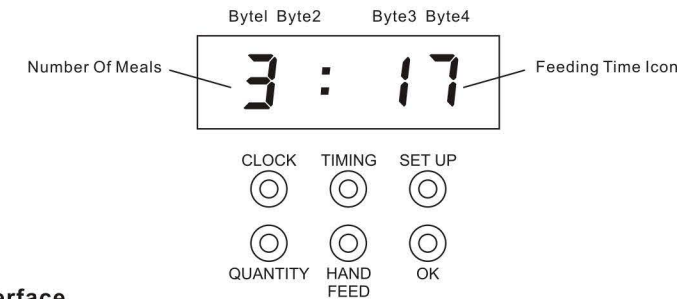
5.1 Installation instructions:

- ① Fix the base on the wooden/stone floor /ceramic tile with screws
- ② Connect base with fixed tube
- ③ Screw fixed tube with bracket
- ④ Connect it with food container
- ⑤ Tighten up the feeder cover and feed nozzle
- ⑦ Connect it with controller



6. Control process

- ① Auto feeding once it reach to set time
- ② The LCD display indicates next feeding time



Main interface

7. Program Feeding Time & Portion

7.1 Time Setting



Time

Press "CLOCK" to view the current time

Clock setting :

- ① Press "CLOCK" button , and then press "SET UP" button to enter time setting interface. Press "CLOCK" button to set desire hours. Then, press "TIMING" button to set minutes.
- ② After finish the setting, press "OK" save it and back to the main interface.